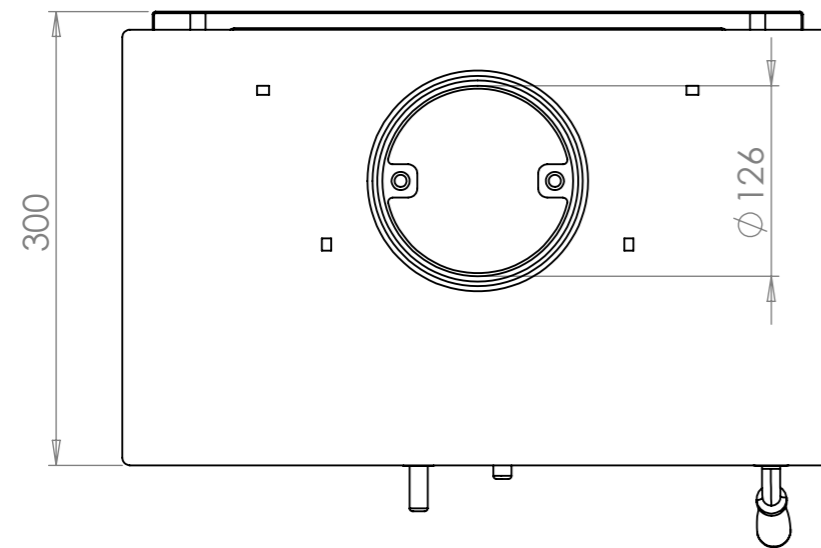
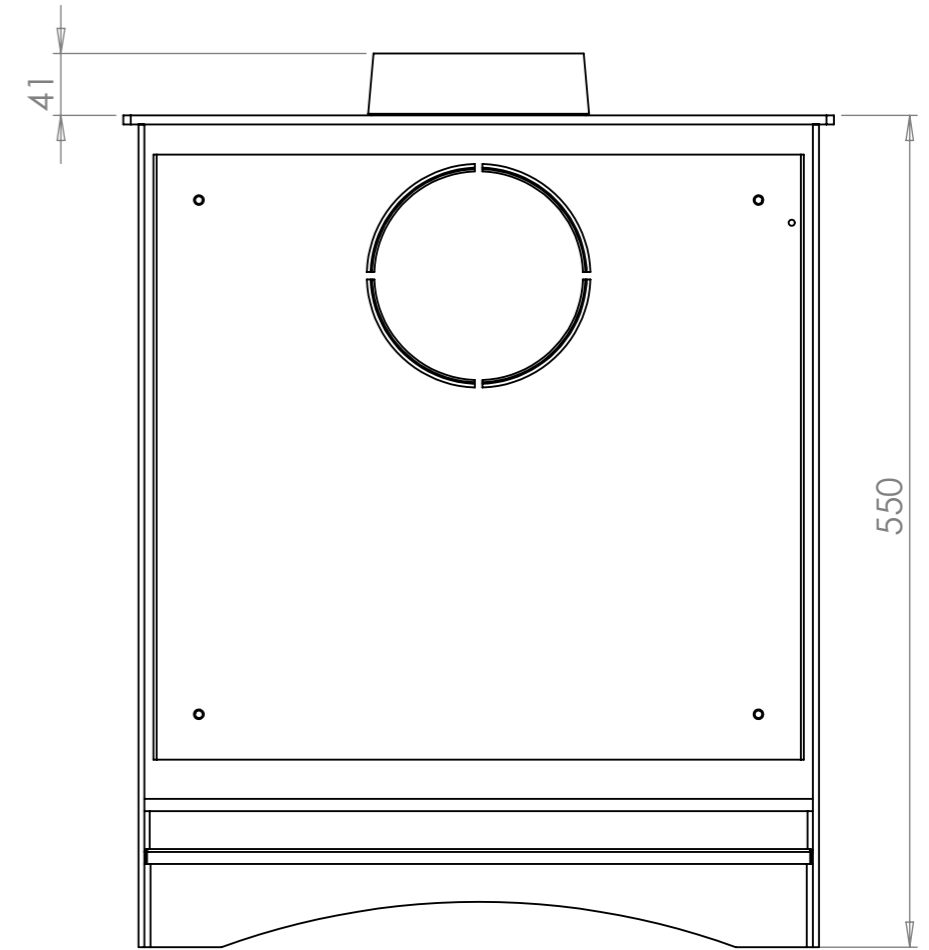
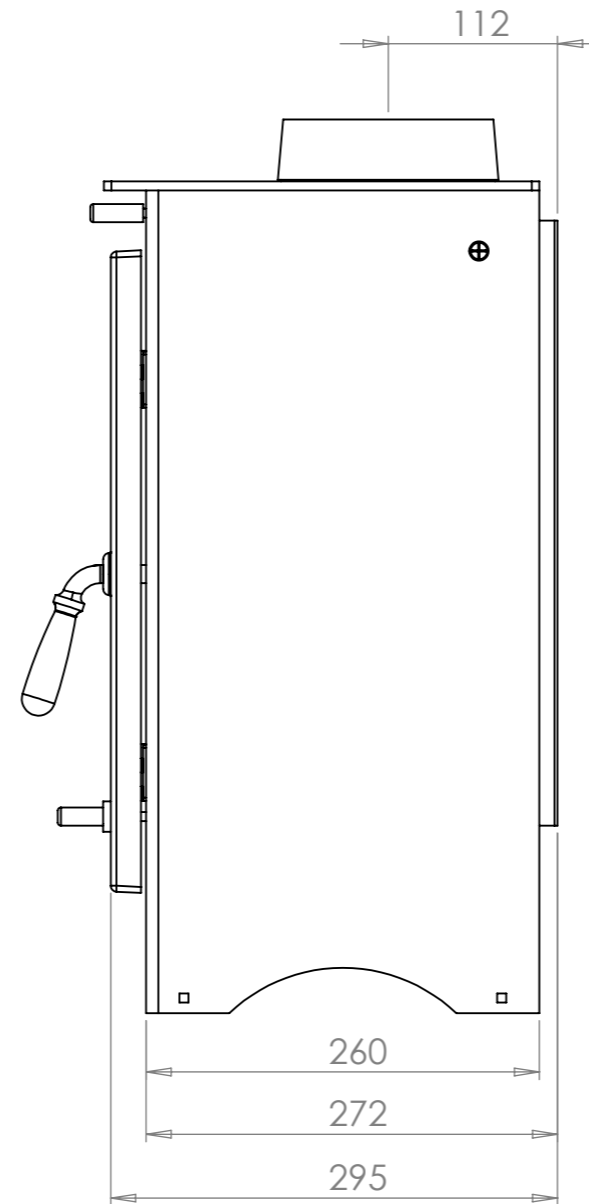
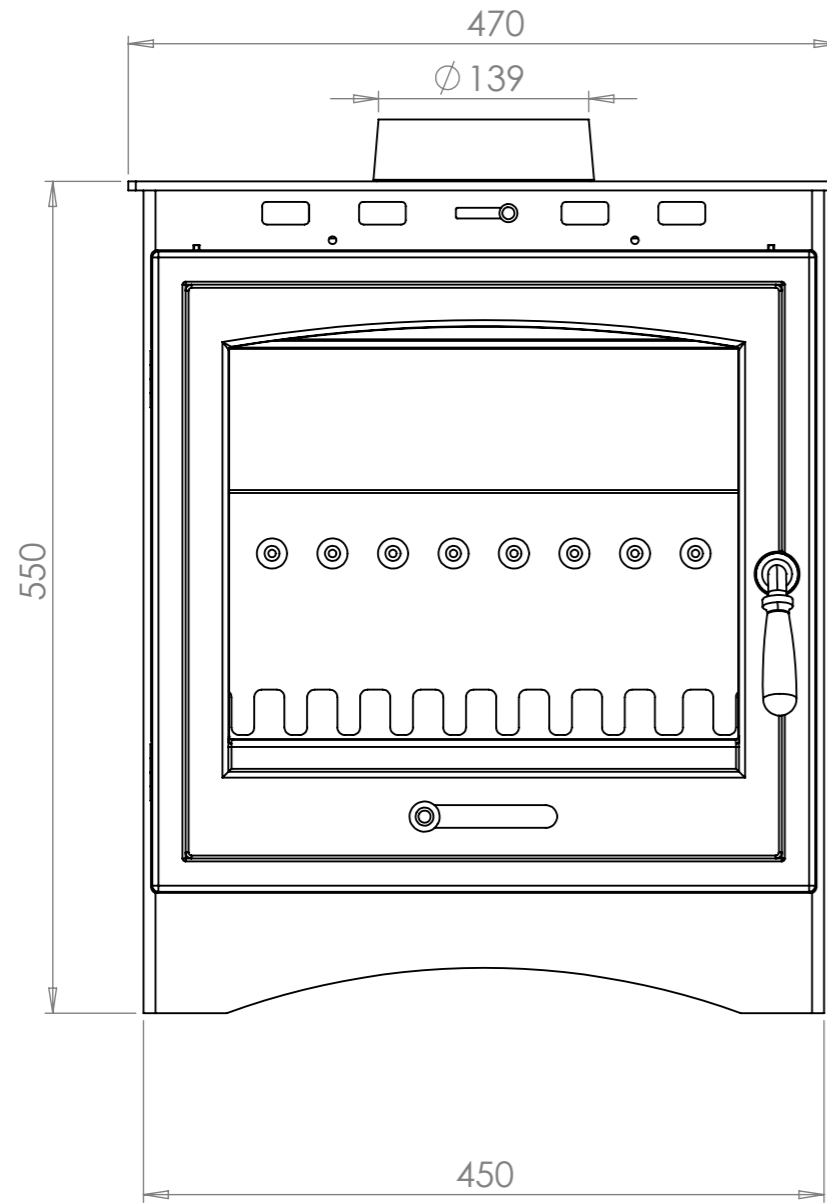





DO NOT SCALE DRAWING
IF IN DOUBT - ASK



ALL DIMS IN mm TOLERANCING TO ISO 8015 GENERAL TOLS TO ISO 2768 m K GEOMETRICAL TOLS TO ISO 1101 CONFORMS TO BS 8888	©Percy Doughty Ltd. Tel. +44 (0) 1204 868550 Fax. +44 (0) 1204 868551 www.percydoughty.com		MATERIAL SEE BOM	REVISION NUMBER A	 PROJECT: HELIOS 8 ECO DESCRIPTION: BASIC GA DRAWING No:
			FINISH SEE BOM		
	SURFACE TEXTURES TO ISO 1302 		LIFECYCLE STATUS: -	All intellectual property rights (including, without limitation, all copyright and design rights) subsisting within the CAD drawings and related data/information belongs to Percy Doughty & Co. The reproduction and use of this material is only authorised for purposes connected with the specification, promotion or use of Percy Doughty & Co. products and systems.	
	3rd ANGLE PROJECTION 		APPROVED -		
		MODELLED BY GT	WEIGHT (Kg)	(A3) SHEET SHEET 1 OF 1	
		MOD CKD BY -			
		DRAWN BY GT			
		DRG CHECKED BY -			
		SCALE 1:10			