

THE
GALLERY
COLLECTION

SUITES | MANTELS | FIRES | STOVES







THE GALLERY COLLECTION

The Gallery Collection presents an extensive range of traditional and contemporary fireplaces and stoves. Built on over 65 years of experience in the fireplace industry we combine supreme craftsmanship, quality materials and elegance in design.

Our desire is to provide you with a superb choice of fireplaces skilfully made with high quality materials, all fitted in your home by reputable retailers so you can enjoy the experience of buying and owning your own individual fireplace.

The fireplace suites and fires within the collection represent classic fireplace designs, some infused with a contemporary twist, aimed to complement a variety of interior styles. Many designs are available in a variety of stone finishes including Portuguese limestone, Micro marble, Granite, or Jurastone, all capable of combining with our extensive range of gas and electric fires, casts, baskets and stoves.

The Gallery Collection offers a unique selection of natural stone mantels and quality cast iron fireplace options including inserts, fascias and fire baskets, as well as a wide selection of more traditional cast iron combination fireplaces. Whether you would like to burn coal, wood, gas or install an electric fire then there will undoubtedly be something suitable within the pages of this brochure.

We are delighted to include a selection of Eco Ready, SIA approved stoves to the collection alongside a range of stoves suitable for many scenarios and fuel types such as wood, gas or multi-fuel. You will find stoves with a variety of heat outputs ranging from 4.6kW to 12kW and with efficiencies of up to 83%.

MATERIALS

The collection brings together a variety of materials with a selection of different finishes to choose from. All our materials are carefully sourced from all across the globe; lovingly hand crafted using traditional methods to ensure years of enjoyment from your timeless fireplace. We also produce a number of made to measure items, which are available throughout our retailer network, ask in store for further details.

LIMESTONE

This natural, sedimentary limestone formed over 50 million years ago is cut straight from the earth. Portuguese Limestone features characteristic darker veins on a light background, intermingled with fossils of plants and animal life, all adding to the beauty and individuality of this great material. In contrast Aegean Limestone is a much whiter limestone with a soft, speckled grain, which works well in a variety of settings.

AGEAN LIMESTONE



PORTUGUESE LIMESTONE



CHILTERN



COTSWOLD

JURASTONE

Jurastone is natural material which utilises an innovative finishing techniques, it is made from sheets of natural solid marble and coated with one of two great finishes.

You can choose from smooth Cotswold and the slightly textured Chiltern, both finishes give a consistent appearance of stone.

MARBLE & GRANITE

Each of these beautiful stone finishes has their own features that help to create a truly unique fireplace, luxurious and naturally detailed. Each of our Carrara marble mantels have their own distinctive white appearance with grey or grey blue veining, with our granite mantels featuring veins, patches of colour & crystals, combined in a design that was planned by nature millions of years ago.

CARRARA MARBLE



GRANITE



MICRO MARBLE

This exquisite material offers a more uniform detail without the swirls and veins found in traditional marble fireplaces. As an alternative, micro marble offers a consistent, even tone and a durable, polished finish.

Arctic White is a vivid shade of white with the slightest hint of grey speckling that adds to an intriguing sense of depth.

ARCTIC WHITE





VENEERED OAK



NATURAL PINE



NATURAL OAK



CHATSWORTH GREY

NATURAL WOOD & VENEER

The Gallery Collection offers a wide choice of high quality oak veneered and solid wood mantels.

Our traditionally styled mantels are intricately designed and work well in period styled homes.

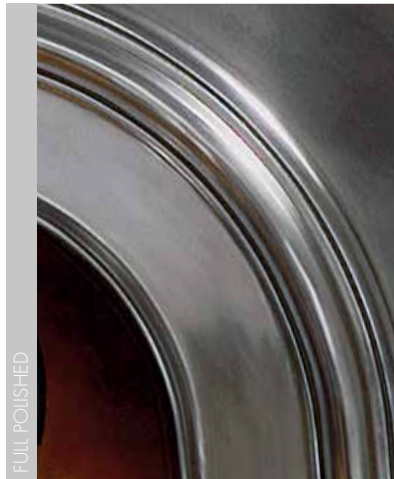
The collection also features a number of veneered mantels some featuring recessed twin spot lights which work well in contemporary settings.

CAST IRON

All our cast iron products are manufactured to the highest standards in ISO 2002 accredited facilities.

The quality and attention to detail is second to none. Not only is the casting quality first class, the finishing processes are carried out by highly trained craftsmen.

Many products are available with a finish of your choice in matt black, highlight polished or fully polished.



FULL POLISHED



TRADITIONAL



BLACK



HIGHLIGHT

FIREPLACE SUITES

The Fireplace Suites & Fires within this brochure represent classic fireplace designs, some infused with a contemporary twist, aimed to complement a variety of interior styles.

When planning your fireplace, the Gallery Collection has a variety of materials to choose from, depending on what look you are trying to achieve.

All of the suites work in combination with our extensive range of fires including our higher performing gas fires range. The collection also includes a large range of gas and electric fires.

We hope this wide choice will allow you to select the perfect fireplace to suit your own particular taste. We have pictured each suite design in a variety of options to demonstrate some of the many different combinations that can be achieved. A suite consists of the mantel, back panel and hearth.

Most suites in this brochure (with the exception of the models fitted with feature lighting) can be fitted against a flat wall without a chimney, if chosen with a suitable electric fire. All that is required is a power point. We have generally shown the suites with gas and electric fire options.







FIREPLACE SUITE

48" Abbey light oak veneered MDF surround complete with polished granite 48" hearth and back panel. Features a Callisto gas fire in chrome finish, see page 26 for alternative options.

FOR
GAS &
ELECTRIC
FIRES

THE ALLERTON



FIREPLACE SUITE

54" Allerton light oak veneered MDF surround with stepped arch detail and recessed twin spot lights, complete with perla marble 54" hearth and back panel. Features a Solaris gas fire in antique brass finish, see page 26 for alternative options.

FOR
GAS &
ELECTRIC
FIRES

THE ASKHAM



FIREPLACE SUITE

54" Askham light oak veneered MDF surround with horizontal stepped detail and recessed twin spot lights, complete with polished granite 54" hearth and back panel. Features a Neptune gas fire comes with Clevedon Fret in Chrome finish, see page 26 for alternative options.

FOR
GAS &
ELECTRIC
FIRES

THE ATWICK



FIREPLACE SUITE

54" Atwick light oak veneered MDF surround with horizontal stepped detail and recessed twin spot lights complete with perla marble 54" hearth and back panel. Features an Equinox gas fire in antique brass finish, see page 26 for alternative options.

FOR
GAS &
ELECTRIC
FIRES

THE CARTMEL



FIREPLACE SUITE

48" Cartmel Arctic White micro marble surround complete with Arctic White micro marble back panel and 48" hearth. Features a Lunar gas fire in highlight finish, with optional recessed twin spot lights available separately, see page 26 for alternative options. Also available in Portuguese limestone.

FOR
GAS &
ELECTRIC
FIRES



FIREPLACE SUITE

48" Carlton Portuguese limestone surround complete with three piece Portuguese limestone back panel and 48" hearth. Features a Solaris gas fire in chrome finish, see page 26 for alternative options.

FOR
GAS &
ELECTRIC
FIRES

THE CLIFTON



FIREPLACE SUITE

42" Clifton Cotswold jurastone surround complete with Cotswold jurastone back panel and 42" hearth. Features an Aurora gas fire in antique brass finish, see page 26 for alternative options.

FOR
GAS &
ELECTRIC
FIRES

THE CONISTON



FIREPLACE SUITE

54" Coniston Chiltern jurastone surround complete with Chiltern jurastone back panel and 54" hearth. Features a Bauhaus gas fire in black finish, see page 26 for alternative options. Also available in Portuguese limestone, see page 81 for details.

FOR
GAS &
ELECTRIC
FIRES

THE CRANBOURNE



FIREPLACE SUITE

44" Cranbourne surround in Portuguese limestone complete with Portuguese limestone back panel and 44" hearth. Features a Bauhaus fire in antique brass finish, see page 26 for alternative options. Also available in Chiltern Jurastone.

FOR
GAS &
ELECTRIC
FIRES

THE DACRE



FIREPLACE SUITE

54" Dacre surround in Portuguese limestone complete with three piece Portuguese Limestone back panel and 54" hearth. Features a Lunar gas fire in highlight finish, see page 26 for alternative options. Also available in Cotswold Jurastone.

FOR
GAS &
ELECTRIC
FIRES

THE DUBLIN CORBEL



FIREPLACE SUITE

48" Dublin Corbel lunar white micro marble surround complete with lunar white micro marble back panel and 48" hearth. Features a Baltimore gas fire with Neptune fret in polished finish, see page 26 for alternative options.

FOR
GAS &
ELECTRIC
FIRES

THE DURRINGTON 42



FIREPLACE SUITE

42" Durrington Portuguese limestone surround complete with three piece Portuguese limestone back panel and 42" hearth. Features an Aurora gas fire in chrome finish, see page 26 for alternative options. Also available in Chiltern Jurastone, see page 72 for details.

FOR
GAS &
ELECTRIC
FIRES



FIREPLACE SUITE

48" Durrington Arctic White micro marble surround complete with Arctic White micro marble back panel and 48" hearth. Features recessed twin spot lights and Equinox gas fire in polished finish, see page 26 for alternative options. Also available in Portuguese limestone, see page 7 for details.

FOR
GAS &
ELECTRIC
FIRES

THE ELLERBY



FIREPLACE SUITE

48" Ellerby Portuguese limestone surround complete with three piece Portuguese limestone back panel and 48" hearth. Features an Eos in antique brass finish, see page 26 for alternative options.

FOR
GAS &
ELECTRIC
FIRES

THE HUTTON



FIREPLACE SUITE

39" Hutton surround in Arctic White micro marble complete with Arctic White micro marble back panel and 39" hearth. Comes complete with recessed spot lights. Features a Bauhaus gas fire in chrome finish.

FOR
GAS &
ELECTRIC
FIRES

THE KENDAL



FIREPLACE SUITE

48" Kendal Cotswold Jurastone surround complete with Cotswold Jurastone back panel and 48" hearth. Features a EOS Electric Fire in Chrome finish, see page 26 for alternative options. Also available in Portuguese limestone.

FOR
GAS &
ELECTRIC
FIRES

THE LANGDON 48



FIREPLACE SUITE

48" Langdon surround in Arctic White micro marble complete with Arctic White micro marble back panel and 48" hearth. Features an Aurora gas fire in antique finish.

FOR
GAS &
ELECTRIC
FIRES



FIREPLACE SUITE

48" Riverslea surround in Arctic White micro marble complete with grey marble inlay, Arctic White micro marble back panel and 48" hearth. Comes complete with recessed spot lights, features an Aurora gas fire in Chrome finish, see page 26 for alternative options.

FOR
GAS &
ELECTRIC
FIRES

INSET FIRES

This page details the full range of inset fires available. Some of the fires, such as the Aurora, the Solaris, and the Lunar feature a one piece decorative frame. Others, such as the Bauhaus, Blenheim, Clevedon, Baltimore, and the Emperor feature a two piece decorative frame. All fires come with a comprehensive 3 year warranty.



AURORA
ANTIQUE BRASS FINISH
(AVAILABLE IN BLACK FINISH)



AURORA
CHROME FINISH



SOLARIS
ANTIQUE BRASS FINISH
(AVAILABLE IN BLACK FINISH)



SOLARIS
CHROME FINISH



LUNAR
HIGHLIGHT FINISH



16" BAUHAUS
BLACK FINISH



16" BAUHAUS
ANTIQUE BRASS FINISH
(AVAILABLE IN POLISHED FINISH)



16" BAUHAUS
CHROME FINISH



BLENHEIM FIRE
COMPLETE WITH NEPTUNE
ANTIQUE BRASS FINISH



BLENHEIM
POLISHED FINISH



CLEVEDON
POLISHED FINISH



CLEVEDON
BLACK FINISH



BALTIMORE
BLACK FINISH



BALTIMORE
POLISHED FINISH



EMPEROR
POLISHED FINISH



EMPEROR
BLACK FINISH

*Any fret can be used along with the Neptune trim to fit either an open fronted gas convector fire or a high efficiency glass fronted gas convector fire. The Neptune trim is available in brushed steel, stainless steel, or antique brass finish.



CALLISTO
ANTIQUE BRASS FINISH



CALLISTO
CHROME FINISH



EOS
ANTIQUE BRASS FINISH



EOS
CHROME FINISH



EQUINOX
ANTIQUE BRASS FINISH



EQUINOX
POLISHED FINISH

FIRE TYPES

The Gallery Collection offers a choice of gas or electric appliances to suit almost every chimney flue type. Below is an explanation of how each of these engines differ from one another. See page 95 for an overview of their key features

HIGH EFFICIENCY
GLASS FRONTED



Featuring a glass fronted, full depth ceramic coal fuel bed, these engines are the most efficient of all fire types. A Class 2 slim line version also is available for Gallery fires.

CLASS 1 OPEN
FRONTED CONVECTOR



A full depth fire suitable for Class 1 chimneys. Convector fires offer greater efficiency ratings than standard open fronted fires. Manual or slide control options available.

CLASS 2 OPEN
FRONTED CONVECTOR



This fire type has the same features as the Class 1 version but with a reduced depth to suit a Class 2 chimney type. This is normally indicated by a more shallow fuel bed.

DECORATIVE
GAS FIRE



A full depth fire suitable for Class 1 chimneys. The key difference with this type of fire is that it does not feature a canopy and produces radiant heat only.

INSET ELECTRIC
FLAME EFFECT FIRE



No chimney is required for these fires as they fit completely within most of our fireplace suites. They are operated by a remote control and have 1kW or 2kW heat output.

FIREPLACE MANTELS

The Gallery Collection presents a unique selection of natural stone mantels and quality cast iron fireplace options including inserts, fascias and fire baskets, as well as a wide selection of more traditional cast iron combination fireplaces.

We are also very proud to feature our range of higher performing cast iron inserts, with the balanced flue option boasting efficiencies of up to 84%. These authentically styled inserts benefit from all the aesthetic qualities common with traditional fireplaces, combined with the eco-friendly higher efficiencies of gas convector fires.

Generally a fireplace would comprise of separately selected items carefully chosen by you to create a truly unique focal point for your living space. These items include a mantel, a hearth, an insert or chamber and a fire source. The fire may come from a number of options such as gas, solid fuel or electric. There's also the option of using a fire basket or fascia/inset gas fire combination allowing many thousands of permutations. If your preferred combination of products is not shown, it does not mean they do not work together.

Also incorporated into this section are cast iron fascias. These don't feature the full depth of an insert and are combined with an inset gas fire, a range of which can be found on page 26.





THE ASQUITH



MANTEL

Asquith 55" Agean limestone mantle featuring the Crown arched insert in highlight finish, decorative gas fire and 54" slate hearth.

FUEL
OPTIONS:
SOLID FUEL
ELECTRIC
GAS

THE BARTELLO



MANTEL

Bartello 54" Agean limestone mantel featuring the Lytton higher performance arched insert in half polished finish, glass fronted gas fire and 54" granite hearth.

FUEL
OPTIONS:
GAS

THE BEDFORD



MANTEL

Bedford 54" oak mantel featuring the Bolton insert in highlight trim option, decorative gas fire and 54" slate hearth. See page 50 for alternative options.

FUEL
OPTIONS:
SOLID FUEL
ELECTRIC
GAS

THE BROMPTON



MANTEL

Brompton 51" Agean limestone mantel featuring Coronet arched insert in half polished finish, decorative gas fire and 51" slate hearth. Also available in 56" Portuguese Limestone, see front cover.

FUEL
OPTIONS:
SOLID FUEL
GAS



MANTEL

Chiswick 56" Carrara marble mantel featuring the Gloucester arched insert in highlight finish, real coal fire and 54" slabbed granite hearth. See page 50 for alternative options

FUEL
OPTIONS:
SOLID FUEL
GAS

THE DANESBURY



MANTEL

Danesbury 54" Pine mantel featuring the Toulouse higher performing insert in highlight finish and sweeping rose yellow tiles, open fronted gas fire and 54" granite hearth. See page 50 for alternative cast insert options.

FUEL
OPTIONS:
GAS

THE DELECTION



MANTEL

Delection 52" Agean limestone mantel featuring the Jubilee higher performance arched insert in half polished finish, gas fire and 54" granite hearth. See page 50 for alternative cast insert options.

FUEL
OPTIONS:
GAS

THE GRAND CORBEL



MANTEL

Grand Corbel 54" pine mantel featuring the Crown arched insert in highlighted finish, decorative gas fire and 54" bevelled granite hearth. See page 50 or alternative cast insert options.

FUEL
OPTIONS:
SOLID FUEL
GAS
ELECTRIC

THE DUBLIN CORBEL



MANTEL

Dublin 60" Granite mantel featuring the Fitzwilliam arched insert in highlight finish, real fire and 54" slabbed granite hearth. See page 50 for alternative cast insert options.

FUEL
OPTIONS:
SOLID FUEL
GAS



MANTEL

Howard 54" oak mantel featuring the Firefox 5 gas stove with Portuguese limestone chamber and 54" hearth. See page 58 for alternative stove options.

GAS
STOVE

THE KINGSTON



MANTEL

Kingston 56" Carrara marble mantel featuring the Henley arched insert in high-gloss finish, decorative gas fire and 54" granite hearth. See page 50 for alternative cast insert options.

FUEL
OPTIONS:
SOLID FUEL
GAS
ELECTRIC

THE LINCOLN



MANTEL

Lincoln 54" pine mantel featuring the Tulip insert in highlight finish and burgundy tulip tiles, decorative gas fire and 54" honed granite hearth.

FUEL
OPTIONS:
SOLID FUEL
GAS
ELECTRIC

THE LUCA



MANTEL

Luca 54" Agean limestone mantel featuring the Landsdowne arched insert in highlight finish, decorative gas fire and 54" granite hearth. See page 50 for alternative cast insert options.

FUEL
OPTIONS:
SOLID FUEL
GAS

THE MILBROOKE



MANTEL

Milbrooke 56" Agean limestone mantel, featuring the Jubilee higher performance arched insert in highlight finish, gas fire and 54" honed granite hearth. See page 50 for alternative cast insert options.

FUEL
OPTIONS:
GAS



MANTEL

Pisa 54" ivory perla micro marble mantel, featuring Normandy tiled insert in highlight finish with burgundy Jazz tiles, decorative gas fire and 54" granite hearth. Pisa also available in Portuguese limestone, see page 71 for details. See page 50 for alternative cast insert options.

FUEL
OPTIONS:
SOLID FUEL
GAS

THE PALMERSTON



MANTEL

Palmerston 54" black cast iron mantel featuring Toulouse tiled insert in highlight finish with burgundy Haslingden tiles, decorative gas fire with 54" granite hearth.

FUEL
OPTIONS:
SOLID FUEL
GAS
ELECTRIC

THE RICHMOND



MANTEL

Richmond 54" Agean limestone mantel featuring Lytton arched insert in highlight finish, solid fuel fire and 54" slabbed Granite hearth.

FUEL
OPTIONS:
SOLID FUEL
GAS
ELECTRIC

THE SIENNA



MANTEL

Sienna 54" Agean limestone mantel featuring Hamilton fascia in highlight finish, open fronted gas fire with polished Aurora fire in chrome finish and 54" granite hearth. See page 26 for alternative gas fire options.

FUEL
OPTIONS:
GAS
ELECTRIC

THE VERONA



MANTEL

Verona 54" Agean limestone mantel featuring the Traditions arched insert in highlight finish, decorative gas fire and 54" granite hearth. See page 50 for alternative cast insert options.

FUEL
OPTIONS:
SOLID FUEL
GAS

THE WORCESTER



MANTEL

Worcester 54" pine mantel featuring Sovereign tiled insert in black finish with amethyst Lavenham tiles, decorative gas fire insert and 54" slabbed granite hearth. See page 50 for alternative tiled insert options.

FUEL
OPTIONS:
SOLID FUEL
GAS
ELECTRIC

INSERTS



A cast iron insert is a decorative plate with complimentary front bars that incorporates a fire, and comes in the form of an arched insert or a tiled insert. Many have the opportunity to burn several types of fuel such as wood, coal, gas or electric. With the exception of the higher performing range and any chrome finishes, all of the inserts featured in this brochure are suitable for burning multi fuel (wood, coal), however polished and highlighted products may tarnish. When burning solid fuel it is recommended that you choose a black finish, for more information on each of our inserts available finishes and fuel suitability see the table on page 94. When choosing a tiled insert it's possible for you to select any tile set from our range which can be found on page 50.

OUR CAST IRON

All our products are manufactured to the highest standards in ISO 2002 accredited facilities. The quality and detail shown here is second to none. Not only is the casting quality first class, the finishing processes are carried out by highly trained craftsmen. This helps us to achieve a consistent and unrivalled offering to our valued customers.

HIGHER PERFORMANCE CAST IRON INSERTS

The Gallery Collection proudly features a range of higher performing cast iron inserts. These design-led fireplaces have taken the styling of the traditional insert and combined it with modern, patented gas fires to produce one of the most authentic looking products of its type currently available. Each insert style comes with the option of 3 different fire types to suit most chimney scenarios and features efficiencies of up to 84%.

HP JUBILEE



HP LYTTON



HP TOULOUSE



FITZWILLIAM



BOLTON



LANDSDOWNE



GLOUCESTER



LYTTON



TRADITIONS



CORONET



REGAL



CROWN



HENLEY



JUBILEE



CROWN ELECTRIC



FINISH OPTIONS



HIGHLIGHT FINISH



POLISHED FINISH



BLACK FINISH



TRADITIONAL FINISH

TILED INSERTS

A cast iron insert is a decorative plate with complimentary front bars that incorporates a fire, and comes in the form of an arched insert or a tiled insert. Many have the opportunity to burn several types of fuel such as wood, coal, gas or electric.

With the exception of the higher performing range and any chrome finishes, all of the inserts featured in this brochure are suitable for burning multi fuel (wood, coal), however polished and highlighted products may tarnish.

Fireplace tiles are heat resistant tiles used to accompany cast inserts, whether you are purchasing a new tiled insert or updating an existing one we have a range to suite all tastes.

TULIP HIGHLIGHT FINISH



TOULOUSE Highlight Finish



NORMANDY Black Finish



SOVEREIGN Black Finish



TULIP Black Finish



NORMANDY Polished Finish



SOVEREIGN Full Polished Finish



PRINCE Black Finish



ART NOUVEAU Highlight Finish



TOULOUSE Black Finish



ARGYLL Red/Ivory



HASLINGDEN Burgundy/Ivory



JAZZ Burgundy/Ivory



JAZZ Lilac/Ivory



LAVENHAM Velvet



SWEEPING ROSE Yellow/Ivory



TULIP Blue/Ivory



TULIP Burgundy/Ivory



WARWICK Empress Red



FASCIA'S

Cast Iron fascia's are designed to be used with gas or electric fires to offer the look of a traditional fireplace but having the option of being used with an inset gas or electric fire for more heat and better efficiency. They can also be used for solid fuel with a clay back and trim and fret set.

CHAMBERLAIN Highlight Finish



MONROE Highlight Finish



HAMILTON Highlight Finish



*FIRES/INSERTS NOT INCLUDED IN FASCIAS



BASKETS



Fire baskets are an eye catching addition to any fireplace with options for solid fuel (wood, coal), gas, and electric. All our fire baskets are suitable for burning solid fuel, however polished and highlighted products may tarnish. When burning solid fuel it is recommended that you choose a black finish. For more information on our fire baskets, including finishes and fuel suitability please see page 93.

In most scenarios it will be necessary to fit a chamber, slip set and back panel with your fireplace. Within this section we have a variety of such items in many finishes for you to choose from.



SMALL NEXUS

FINISHES: CHROME & BLACK
 GAS FIRE POSITION: 610(W) x 315(D) x 190(H)
 SOLID FUEL POSITION: 610(W) x 315(D) x 135 (H)



CASTLE

FINISHES: HIGHLIGHT & BLACK WITH
 BRASS FINIALS & KNOB
 570(W) x 280(D) x 440(H)



QUEEN ANNE

FINISHES: HIGHLIGHT & ANTIQUE
 BRASS FINISH
 590(W) x 285(D) x 580(H)



18" CROMWELL

FINISHES: BLACK
 455(W) x 330(D) x 150(H)
 ALSO AVAILABLE IN 16";
 330(W) x 250(D) x 150(H)

FIRE BASKETS

ALL SIZES ARE IN MILLIMETERS. BASKETS SHOWN ARE NOT TO SCALE



LARGE CRADLE
FINISHES: POLISHED & BLACK (REVERSIBLE)
550(W) x 250(D) x 200(H)



SMALL CRADLE
FINISHES: POLISHED & BLACK (REVERSIBLE)
400(W) x 250(D) x 200(H)



MATRIX
FINISHES: POLISHED & BLACK
515(W) x 300(D) x 395(H)



ELAN WITH BACK
FINISHES: POLISHED & BLACK
455(W) x 300(D) x 385(H)



ELAN NO BACK
FINISHES: POLISHED & BLACK
440(W) x 300(D) x 220(H)



NEON
FINISHES: POLISHED & BLACK
NO BACK: 375(W) x 285(D) x 190(H)
WITH BACK: 375(W) x 285(D) x 230(H)



KRYPTON
FINISHES: POLISHED & BLACK
NO BACK: 530(W) x 260(D) x 190(H)
WITH BACK: 530(W) x 260(D) x 235(H)



LARGE COTTAGE
FINISHES: POLISHED & BLACK (REVERSIBLE)
585(W) x 305(D) x 475(H)



SMALL COTTAGE
FINISHES: POLISHED & BLACK (REVERSIBLE)
485(W) x 305(D) x 365(H)



VALENCIA
FINISH: BLACK
16" WITHOUT BACK: 400(W) x 330(D) x 220(H)
18" WITHOUT BACK: 470(W) x 330(D) x 220(H)
18" WITH BACK: 470(W) x 305(D) x 475(H)
21" WITHOUT BACK: 550(W) x 330(D) x 220(H)
21" WITH BACK: 550(W) x 305(D) x 500(H)



PULSE
FINISH: BLACK
455 (W) x 285 (D) x 250 (H)



ASTRA
FINISH: BLACK
425(W) X 285 (D) X 225 (H)



As the name suggests, a combination fireplace (or combi) is a cast iron centre piece that combines many aspects of a traditional fireplace in one package. All you need to choose is your preferred fuel type and add a hearth.

All combination models have the option of solid fuel or gas, but we also offer the option of electric fires in selected models. As with other cast iron products, all are suitable for burning solid fuel, however polished and highlighted products may tarnish. When burning solid fuel it is recommended that you choose a black finish. For more information on each of our combination fireplace's available finishes and fuel suitability see the table on page 94.



TREGARON 36" IN HIGHLIGHT FINISH
Also available in black and polished finishes



CELTIC 36" IN POLISHED FINISH
Also available in black and highlight finishes



BARCELONA 36" IN POLISHED FINISH
Also available in black finish



NOTTAGE 30" IN HIGHLIGHT FINISH
Also available in black finish



EDWARDIAN 48" IN POLISHED FINISH
Shown with Sweeping Rose Yellow/Ivory tiles



PEMBROKE 48" IN POLISHED FINISH
Also available in black finish

STOVES

The Gallery Collection presents an extensive range of traditional and contemporary stoves, combining supreme craftsmanship, quality materials and elegance in design. There's nothing quite like the feeling invoked by the comforting glow and warmth of a cast iron stove. Our desire is to provide you with a superb choice of high performance, efficient stoves that are skilfully made with high quality materials.

Featured within this brochure is a range of stoves suitable for many scenarios and fuel types such as wood, gas or multi fuel. You will find stoves with a variety of heat outputs ranging from 4.6kW to 12kW and with efficiencies of up to 83%.

As well as our continuing development of innovative stoves, this year we've also added further options to our range of authentic fireplace chambers, hearths, stoves, and fireplace accessories, allowing you to create that perfect focal point to your living space.

ECODESIGN READY STOVES AND AIR QUALITY

SIA Ecodesign Ready stoves are designed to reduce emissions by burning wood more efficiently and completely. Ecodesign is the European-wide programme to lower emissions which is due to come into force for stoves in the UK in 2022. SIA Ecodesign Ready stoves will meet the Ecodesign requirements and we are delighted to have introduced a selection of eco design ready stoves to the Gallery Collection.

READY TO BURN

Whilst we continue to develop new and enhanced products to improve efficiency and clean burning, it is the critical issue of wood fuel that plays the biggest role in the air quality solution. A stove is only as good as the wood it burns.

Burning wet wood is inefficient as it demands a lot of heat to vaporise the water before the appliance can give out the proper level of heat to the room, hot water or heating systems. In turn, this creates a lot of smoke which damages the chimney blackens the appliance and contributes to air pollution. Dry wood that has been properly sourced and seasoned means it produces fewer particulates, more heat efficiency and less maintenance. Chimneys are less likely to block and will remain easier to sweep.

The government-backed Ready to Burn scheme is compliant with EU timber regulations and will set a benchmark for logs and other wood fuels in the UK to help with identifying wood that has been carefully chosen and ready to burn. For more details and to find your nearest stockist visit www.woodsure.co.uk/are-you-ready-to-burn/





CLASSIC 8 ECO



STOVE

NOMINAL HEAT OUTPUT & RANGE: 5KW (2.5-8KW)

EFFICIENCY: UP TO 84%

FUEL TYPE: MULTIFUEL*

DIMENSIONS: 570 (W) X 334 (D) X 655 (H) MM

FLUE DIAMETER: 125MM

SHOWN WITH..

54" Richmond in Agean Limestone, 54" slabbed Granite hearth & back hearth and Oliver slate Waterfall chamber.

*Only wood and smokeless fuels may be used in smoke controlled areas



CLASSIC 8 ECO



STOVE

NOMINAL HEAT OUTPUT & RANGE: 5KW (2.5-8KW)

EFFICIENCY: UP TO 84%

FUEL TYPE: MULTIFUEL*

DIMENSIONS: 570 (W) X 334 (D) X 655 (H) MM

FLUE DIAMETER: 125MM

SHOWN WITH..

54" Luca surround in Agean limestone, porcelain slate brick bond chamber & 54" Harlequin ceramic hearth.

*Only wood and smokeless fuels may be used in smoke controlled areas



CLASSIC 5 CLEAN BURN



STOVE

HEAT OUTPUT: UP TO 4.9KW

EFFICIENCY: UP TO 79%

FUEL TYPE: MULTIFUEL*

FLUE DIAMETER: 125MM

DIMENSIONS: 556(H) X 447(W) X 3392(D) MM

SHOWN WITH..

Staggered Black Slate Block Chamber, Slabbed Granite Hearth & Back Hearth & Light Oak Geocast Beam

*Only wood and smokeless fuels may be used in smoke controlled areas

SUITABLE
FOR USE
IN SMOKE
CONTROLLED
AREAS

CLASSIC 8 CLEAN BURN



STOVE

HEAT OUTPUT: UP TO 8.4KW

EFFICIENCY: UP TO 79%

FUEL TYPE: MULTIFUEL*

FLUE DIAMETER: 150MM

DIMENSIONS: 577(H) X 595(W) X 391(D)MM

SHOWN WITH..
36" x 36" Slabbed Slate Hearth

*Only wood and smokeless fuels may be used in smoke controlled areas

SUITABLE
FOR USE
IN SMOKE
CONTROLLED
AREAS

DARWIN GAS STOVE



STOVE

HEAT OUTPUT: UP TO 5.4KW (GAS) / 4.53KW (LPG)

EFFICIENCY: UP TO 75% / 65%

FUEL TYPE: NATURAL GAS & LPG

DIMENSIONS: 640(H) X 572(W) X 448(D)MM

FLUE DIAMETER: 100/150MM*

SHOWN WITH..

Light oak effect geocast beam, Olive slate waterfall chamber and Harlequin tile slabbed hearth.

*Concentric Flue Size (LPG model available)

CONVENTIONAL
& BALANCED
FLUE

FIREFOX 8 ECO



STOVE

NOMINAL HEAT OUTPUT & RANGE: 5KW (2.5-8KW)

EFFICIENCY: UP TO 84%

FUEL TYPE: MULTIFUEL*

DIMENSIONS: 660(H) X 542(W) X 367(D)MM

FLUE DIAMETER: 125MM

SHOWN WITH..

56" Brompton surround in Agean limestone, porcelain slate brick bond chamber & 56" Star tile slabbed hearth.

*Only wood and smokeless fuels may be used in smoke controlled areas



FIREFOX 5.1 MULTI FUEL



STOVE

HEAT OUTPUT: UP TO 4.9KW

EFFICIENCY: UP TO 78%

FUEL TYPE: MULTIFUEL

DIMENSIONS: 535(H) X 405(W) X 360(D)

MM

FLUE DIAMETER: 125MM

SHOWN WITH..

Staggered Slate Block Chamber, Slabbed Granite Hearth & Back Hearth, 54" Light Oak Effect Geocast Beam

CAST
IRON
STOVE

FIREFOX 8.1 MULTI FUEL



STOVE

HEAT OUTPUT: UP TO 8.4KW

EFFICIENCY: UP TO 79%

FUEL TYPE: MULTIFUEL

DIMENSIONS: 595(H) X 555(W) X 365(D)MM

FLUE DIAMETER: 150MM

SHOWN WITH..
Bespoke Chamber, 48" Slabbed Granite Hearth & Back Hearth

CAST
IRON
STOVE



STOVE

HEAT OUTPUT: UP TO 8.4KW

EFFICIENCY: UP TO 79%

FUEL TYPE: MULTIFUEL

DIMENSIONS: 595(H) X 555(W) X 365(D)MM

FLUE DIAMETER: 150MM

SHOWN WITH..
36" x 36" Slabbed Slate Hearth & Bampton Log Basket

TWIN
DOOR



STOVE

HEAT OUTPUT: UP TO 13KW

EFFICIENCY: UP TO 76%

FUEL TYPE: MULTIFUEL

DIMENSIONS: 680(H) X 645(W) X 415(D)MM

FLUE DIAMETER: 150MM

SHOWN WITH..
Bespoke Brick Built Fireplace & Bespoke Varnished Oak Beam

TWIN
DOOR

FIREFOX 5.1 CLEANBURN



STOVE

HEAT OUTPUT: UP TO 4.9KW

EFFICIENCY: UP TO 79%

FUEL TYPE: MULTIFUEL*

FLUE DIAMETER: 125MM

DIMENSIONS: 535(H) X 405(W) X 360(D)MM

SHOWN WITH..

48" Dark Oak Effect Geocast Beam with Feature Lights, Grey Ceramic Brick Bond Chamber, Slate Hearth & Back Hearth

*Only wood and smokeless fuels may be used in smoke controlled areas

SUITABLE
FOR USE
IN SMOKE
CONTROLLED
AREAS



STOVE

HEAT OUTPUT: UP TO 7.9KW

EFFICIENCY: UP TO 77%

FUEL TYPE: MULTIFUEL*

FLUE DIAMETER: 150MM

DIMENSIONS: 595(H) X 555(W) X 365(D)MM

SHOWN WITH..

Pisa mantel in Portuguese Limestone with porcelain slate chamber, slabbed hearth & back hearth

*Only wood and smokeless fuels may be used in smoke controlled areas

SUITABLE
FOR USE
IN SMOKE
CONTROLLED
AREAS

FIREFOX 5 GAS



STOVE

HEAT OUTPUT: UP TO 4KW

EFFICIENCY: UP TO 73%

FUEL TYPE: GAS

DIMENSIONS: 580(H) X 405(W) X 445(D)MM

FLUE DIAMETER: 125MM

SHOWN WITH..
42" Durrington suite in Chiltern Jurastone with granite back hearth

GAS
STOVE

FIREFOX 8 GAS



STOVE

HEAT OUTPUT: UP TO 5KW

EFFICIENCY: UP TO 73%

FUEL TYPE: GAS

DIMENSIONS: 605(H) X 555(W) X 425(D)MM

FLUE DIAMETER: 125MM

SHOWN WITH..
54" Dark Oak Effect Geocast Beam, Rustic Brick Chamber with Front Returns & 54"
Granite Hearth

GAS
STOVE

HELIOS 5 CLEAN BURN



STOVE

HEAT OUTPUT: UP TO 4.6KW

EFFICIENCY: UP TO 83%

FUEL TYPE: MULTIFUEL*

FLUE DIAMETER: 125MM

DIMENSIONS: 486(H) X 370(W) X 327(D)MM

SHOWN WITH..

Staggered Black Slate Block Chamber, Slabbed Honed Granite Hearth & Back Hearth & Light Oak Geocast Beam

*Only wood and smokeless fuels may be used in smoke controlled areas

SUITABLE
FOR USE
IN SMOKE
CONTROLLED
AREAS

HELIOS 8 CLEAN BURN



STOVE

HEAT OUTPUT: UP TO 8.3KW

EFFICIENCY: UP TO 81%

FUEL TYPE: MULTIFUEL*

FLUE DIAMETER: 150MM

DIMENSIONS: 584(H) X 440(W) X 366(D)MM

SHOWN WITH..

Red Ceramic Brick Bond Chamber, Porcelain Slate Tiled Hearth & Back Hearth & Light Oak Geocast Beam with Feature Lights

*Only wood and smokeless fuels may be used in smoke controlled areas

SUITABLE
FOR USE
IN SMOKE
CONTROLLED
AREAS

HELIOS INSET CLEAN BURN



STOVE

HEAT OUTPUT: UP TO 4.5KW

EFFICIENCY: UP TO 81%

FUEL TYPE: MULTIFUEL*

FLUE DIAMETER: 125MM

DIMENSIONS: 590(H) X 470(W) X 311(D)MM

SHOWN WITH..

Brompton Agean Limestone surround, granite back panel & slabbed hearth

*Only wood and smokeless fuels may be used in smoke controlled areas

SUITABLE
FOR USE
IN SMOKE
CONTROLLED
AREAS



STOVE

HEAT OUTPUT: UP TO 5KW

EFFICIENCY: UP TO 78%

FUEL TYPE: MULTIFUEL*

FLUE DIAMETER: 125MM

DIMENSIONS: 644 (H) X 356 (D) X 522 (W) MM

SHOWN WITH..

Natural Reeded Fireboard Chamber (painted black), 48" Diamond Quarry Hearth in Black/Red & Back Hearth and Croft Beam

*Only wood and smokeless fuels may be used in smoke controlled areas

SUITABLE
FOR USE
IN SMOKE
CONTROLLED
AREAS

TIGER CLEAN BURN



STOVE

HEAT OUTPUT: UP TO 5KW

EFFICIENCY: UP TO 73%

FUEL TYPE: MULTIFUEL*

FLUE DIAMETER: 150MM

DIMENSIONS: 600(H) X 555(W) X 330(D)MM

SHOWN WITH..

Rustic Brick Chamber, 48" Slabbed Granite Hearth & Back Hearth & Light Oak Effect Geocast Beam

*Only wood and smokeless fuels may be used in smoke controlled areas

SUITABLE
FOR USE
IN SMOKE
CONTROLLED
AREAS

TIGER MULTI FUEL



STOVE

HEAT OUTPUT: UP TO 6KW

EFFICIENCY: UP TO 77%

FUEL TYPE: MULTIFUEL

FLUE DIAMETER: 150MM

DIMENSIONS: 600(H) X 555(W) X 330(D)/MM

SHOWN WITH..

Rustic Herringbone Brick Chamber, Slabbed Porcelain Slate Tiled Hearth & 54" Contemporary Natural Oak Shelf

CAST IRON
STOVE

TIGER INSET



STOVE

HEAT OUTPUT: UP TO 4.9KW

EFFICIENCY: UP TO 82%

FUEL TYPE: MULTI FUEL

FLUE DIAMETER: 150MM**

DIMENSIONS:

EXTERNAL: 600(H) X 520(W) X 126(D)MM, INTERNAL: 542(H) X 398(W) X 216(D)MM

SHOWN WITH..

Brompton Agean Limestone mantel and slabbed Granite hearth & back panel

** Required with an additional PDQ adapter if fitting with a flue liner
*Only wood and smokeless fuels may be used in clean burn mode

SUITABLE
FOR USE
IN SMOKE
CONTROLLED
AREAS

TIGER GAS



STOVE

HEAT OUTPUT: UP TO 5KW

EFFICIENCY: UP TO 73%

FUEL TYPE: GAS

FLUE DIAMETER: 125MM

DIMENSIONS: 590(H) X 570(W) X 420(D)MM

SHOWN WITH..

Coniston 54 Portuguese Limestone suite, natural reeded fireboard chamber & Portuguese limestone back hearth

HIGH
DEFINITION
CERAMIC
LOGSET INC.

TIGER CUB



STOVE

HEAT OUTPUT: UP TO 4KW

EFFICIENCY: UP TO 81%

FUEL TYPE: MULTIFUEL*

DIMENSIONS: 591(H) X 338(W) X 397(D)MM

FLUE DIAMETER: 100MM**/ 125MM

*Only wood and smokeless fuels may be used in smoke controlled areas

**100mm - when fitted into a shed, inland marine craft or other buildings for occasional use.

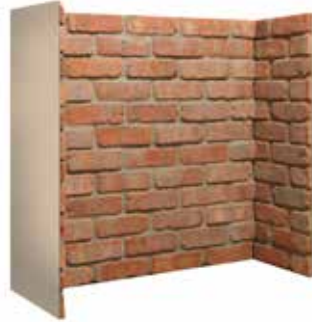
IDEAL
LEISURE
HOME
USE

SUITABLE
FOR USE
IN SMOKE
CONTROLLED
AREAS

CHAMBERS



RUSTIC BRICK
CHAMBER WITH RETURNS
& ARCH*



RUSTIC BRICK
CHAMBER



RUSTIC HERRINGBONE
BRICK CHAMBER



STAGGERED BLACK
SLATE BLOCK CHAMBER



STAGGERED OYSTER
SLATE BLOCK CHAMBER



STAGGERED GREY
WHITE CHAMBER



GREY CERAMIC
BRICK BOND CHAMBER



RED CERAMIC
BRICK BOND CHAMBER



NATURAL LIMESTONE
BLOCK CHAMBER



OLIVE SLATE
WATERFALL CHAMBER



GRAPHITE SLATE
WATERFALL CHAMBER



PORCELAIN SLATE
BRICK BOND CHAMBER

*AVAILABLE WITH OR WITHOUT ARCH

HEARTHES

With such a varied range of hearths and beams, we make it easy for you to create a truly unique fireplace. We offer a variety of hearths in many shapes and sizes and suitable for use with all fuel types. Please consult with your nearest Gallery dealer to determine the correct hearth specification for you.



PORTUGUESE
LIMESTONE

PORCELAIN
SLATE TILE



OLIVE
SLATE TILE

NATURAL
SLATE



GRAPHITE
SLATE TILE

EBONY POLISHED
GRANITE



AUTUMN
QUARRY TILE

HONED
GRANITE



BARLEY
SLATE TILE

HARLEQUIN
CERAMIC TILE



STAR
CERAMIC TILE

TAPESTRY
CERAMIC TILE



DIAMOND QUARRY
BLACK/RED

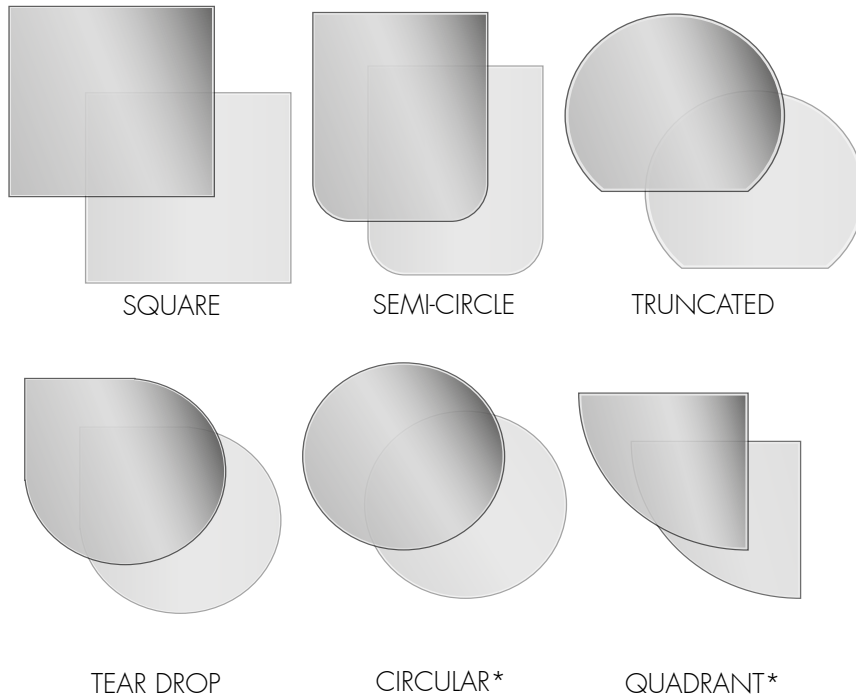
DIAMOND QUARRY
BLACK/WHITE



CUBE
CERAMIC TILE

GLASS & GRANITE HEARTHES

These high quality glass & granite hearths are a contemporary alternative to complement any multi fuel or wood burning stove. The glass hearths are constructed from 12mm toughened glass and are available in smoked or transparent glass. The granite hearths are constructed from 20mm natural black granite and are available honed or polished. There are four shapes available to choose from:



*Available in glass only

BEAMS

These realistic oak effect fireplace beams have been developed from natural inorganic material. Available in light and dark oak effect, in three sizes, they are lightweight and moulded from three separate natural oak beams. They are available in 36" 48" and 54" with concealed feature lights available as an option for the 48" and 54" versions.



CROFT BEAM
FINISHED PINE



CONTEMPORARY BEAM
NATURAL OAK



RUSTIC DARK OAK
GEOCAST BEAM
HAND PAINTED



RUSTIC LIGHT OAK
GEOCAST BEAM
HAND PAINTED

ACCESSORIES



ECLIPSE
H:54CM
PEWTER
CODE: 2109



TRAVERSE
H:25"
BLACK
CODE: 2159



ORION
H:59CM
PEWTER
CODE: 2120
ALSO AVAILABLE IN BLACK (2124)



SMALL MERLIN
H:66CM
BLACK & CHROME
CODE: 1109



HOOK
H:54CM
BLACK
CODE: 1147



TEMPLE
H:58CM
BLACK
CODE: 1191



DUO
H:36CM
PEWTER
CODE: 1143
ALSO AVAILABLE IN BLACK (1142)



VIKING LOG TIDY
H:28" - BLACK
CODE: 4580320



SALISBURY
DIA: 22CM
BLACK
CODE: 0322



WARWICK
DIA: 24CM
BLACK & PEWTER
CODE: 1396
ALSO AVAILABLE IN BLACK &
BRASS (1370)



WATERLOO
DIA: 30CM
CREAM
CODE: 2878



DORSET HOD
21"
CHROME/BRASS
CODE: 0363



ASH BUCKETS
H:28CM X W:30CM X D:30CM
CREAM; CODE: 0347
GREY; CODE: 0349



KINDLING BUCKET
H:18CM X W:23CM X
D:23CM
SMALL
CREAM; CODE: 0360
GREY; CODE: 0361

H:28CM X W:30CM X
D:30CM
LARGE
CREAM; CODE: 0348
GREY; CODE: 0346



MATCH HOLDER
H:13CM X W:8CM X D:4CM
CREAM; CODE: 1962
GREY; CODE: 1963



NORDIC LOG STORE
 H:59CM X W:28CM X
 D:25CM
 BLACK
 CODE: 0376



VAULT
 H:47CM X W:37CM X
 D:35CM
 BLACK
 CODE: 0379



CRESCENT
 H:44CM X D:33CM
 BLACK: 0359



CRESCENT
 H:44CM X D:33CM
 SILVER: 0313



**SMITHYS LOG HOLDER &
 TOOLS**
 H:62CM X W:65CM X D:26CM
 BLACK
 CODE: 0344



MANOR ROSEWOOD
 H:36CM X W:56CM X D:46CM
 WICKER
 CODE: 0388



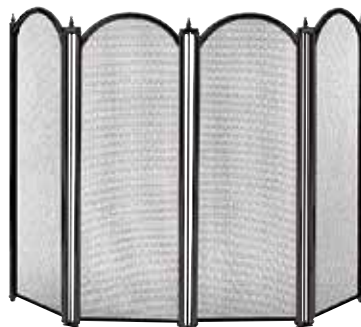
BAMPTON
 H:35CM X W:55CM X D:41CM
 WILLOW
 CODE: 1338



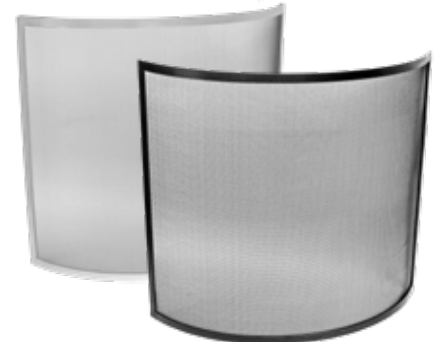
EDGECOTT
 H:35CM X W:56CM X D:45CM
 WILLOW
 CODE: 1337



DYNASTY 3 FOLD
 H:67CM X W:43CM X D:20CM
 CHROME TOP
 CODE: 2091
 ALSO AVAILABLE IN BLACK TOP (1796)



DYNASTY 4 FOLD
 H:64CM X D: PANELS 21CM
 BLACK
 CODE: 1771



CURVED GUARD
 24" X 26"
 BLACK: 2074
 SILVER: 2076



MATERIALS

Many of the fireplace suites in the Gallery Collection are available in several different material options, giving you the opportunity to choose the perfect style to suit your tastes and requirements. For more information on material options as well as product dimensions, please see the table on last page. Every fireplace suite comes complete with a surround, hearth and back panel, all cut from the same batch of material so as to ensure a good tonal match.



CAST IRON

All the cast iron products are delivered with a protective, oil-based coating on polished surfaces. This should be cleaned off during installation. It is recommended that a spray-type oil is applied from time to time in order to avoid surface rust appearing. Ensure that the room in which the cast iron product is being installed is thoroughly dry. For example recently plastered walls cause high levels of moisture in the atmosphere and, as a result, rust is likely to occur. Under no circumstances should a water-based cleaner or polish be used to clean cast iron products.

When using ceramic fuel beds, ensure that these do not touch any of the polished surfaces as this will help to minimise the possibility of thermal discolouration. High temperature paint is used on the black and graphite products where fires will burn. This paint will eventually burn off. A proprietary, high temperature paint can be used to re-coat your fireplace. Such paint is available from your retailer. It is your responsibility to burn smoke free fuels if you live in a smoke free zone. There are some very high temperature burning fuels which can cause damage to any fireplace.

Please refer to the Solid Fuel Association (www.solidfuel.co.uk) recommendations and use an approved coal merchant as your supplier. No responsibility can be accepted if high temperature fuels have been used or if there is excessive draft. If in doubt we recommend the use of a clay fire back. Clean ash away regularly as a build up beneath the fire will cause the grate to burn out quickly. The grate is a consumable part of your fire and will need replacing from time to time, depending on the frequency and burning temperature of your fires.

GAS FIRES

A gas fire is a technical piece of equipment and, just like a gas boiler needs regular servicing. Please ensure that you have your gas fire serviced regularly by a Gas Safe Register (Board Gais in ROI) registered installer.



LIMESTONE

Limestone products, once installed and dry should be cleaned and sealed where necessary using Gallery Collection aftercare products. Your installer should carry out the initial sealing where applicable.

The stone mantels pictured are manufactured from 100% natural material. As such the mantel you will purchase will be unique due to the inevitable variations in fossil formation, veining and colour. This is one of the great attractions of 100% pure natural products. Please be aware that small fossils and variations in the limestone are part and parcel of this wonderful natural product.



MARBLE

Marble products may have small amounts of colour-matched filler to give the impression of a continuous surface. The nature of marble is such that when it is formed in the earth, some small cracks are created too. The marble that is selected for the mantels shown in this brochure has been chosen to provide affordable quality, thus some minor cracks have been permitted. To achieve a perfect piece of marble with no imperfections at all means a huge amount of wastage. This has two principal effects, the product becomes prohibitively expensive and the natural resources are depleted too quickly.



DETERMINE YOUR CHIMNEY

THE CHIMNEY OR FLUE IN YOUR HOUSE WILL NORMALLY DETERMINE WHAT KIND OF FIRE YOU WILL CHOOSE.

STEP ONE

Identify which type of chimney you have or whether you have no chimney using the information below.



Commonly in older houses, earlier than 1960. The Class 1 chimney is identifiable by 7" (180mm) or greater diameter flue. The existing chimney must be structurally sound, please check before the installation of a new fireplace.

CLASS 1 CHIMNEY



Either an older house where the existing chimney has been lined by a proprietary steel flue or a newer house with a steel flue built in. This chimney type is identifiable by a 5" (130 mm) diameter flue and a steel flue terminal.

CLASS 2 CHIMNEY



Modern houses generally later than 1960 often have a pre-cast concrete chimney system, identifiable by a rectangular box section flue and a terminal, as illustrated in the picture above.

PRE-CAST FLUE



Modern houses often have no chimney. You can use a modern decorative electric fire, either with no heat for aesthetics or an efficient fire with up to 2kW heat output.

NO CHIMNEY

STEP TWO

Now you know what type of chimney you have (or if you have no chimney) you can decide on the type of fire and preferred source of fuel. Ensure that the fire can be matched with a suitable suite combination.

FIRE TYPE	CLASS 1 CHIMNEY				CLASS 2 CHIMNEY				PRE-CAST FLUE				NO CHIMNEY	
	MF	NG	LPG	ELECTRIC	MF	NG	LPG	ELECTRIC	MF	NG	LPG	ELECTRIC	ELECTRIC	
HIGH EFFICIENCY GLASS FRONTED		✓			✓									
CLASS 1 OPEN FRONTED CONVECTOR		✓	✓											
CLASS 2 OPEN FRONTED CONVECTOR					✓	✓			✓					
DECORATIVE GAS FIRE		✓	✓											
ELECTRIC INSET				✓				✓				✓	✓	
BASKETS	✓	✓	✓	✓	✓	✓		✓				✓	✓	
STOVES	✓	✓	✓		✓	✓								

NG - Natural gas available for all chimney types

MF - Multi fuel

LPG - Liquid Petroleum Gas (LPG) bottled gas

Electric with heat - Decorative electric fire. Up to 2kW heat output.

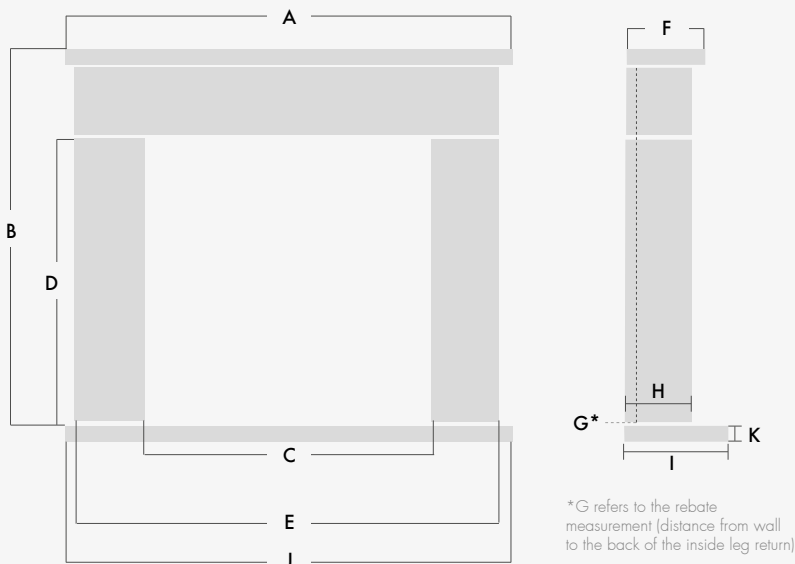
No chimney - As well as electric, we also offer a comprehensive range of balanced flue gas fires.

Consult your dealer for more information.

SUITES INFORMATION

SUITE	A	B	C	D	E	F	G	H	I	J	K	PORTUGUESE LIMESTONE	CHILTERN JURASTONE	COTSWOLD JURASTONE	ARCTIC WHITE / MICRO	LUNAR WHITE	LIGHT OAK	
ABBEEY 48	1220	1045	827	860	1150	160	75	110	380	1220	51							✓
ALLERTON 54	1370	1118	910	910	1290	190	45	150	380	1370	51							✓
ASCOLI 48	1220	1040	722	790	1120	170	75	160	380	1220	51	✓						
ASKHAM 54	1380	1138	900	900	1290	195	45	150	380	1370	51							✓
ATWICK 54	1380	1143	910	910	1300	190	45	150	380	1370	51							✓
CARLTON 48	1220	1045	750	755	1150	180	75	145	380	1220	55	✓						
CARTMEL 48	1220	1040	762	810	1150	180	75*	140	380	1220	51	✓				✓		
CLIFTON 42	1020	925	660	725	1020	150	75	120	380	1060	51			✓				
CONISTON 54	1370	1120	804	866	1270	200	75	150	380	1370	51	✓	✓					
CRANBOURNE 44	1120	927	622	673	1016	184	75	120	380	1120	51	✓	✓					
DACRE 54	1370	1113	865	840	1265	200	75	143	380	1370	51	✓		✓				
DUBLIN CORBEL 48	1220	1027	837	837	1137	280	75	193	380	1220	51						✓	
DURRINGTON 42	1066	965	690	755	990	160	75	125	380	1066	51	✓	✓					
DURRINGTON 48	1220	1020	760	760	1120	150	75*	115	380	1220	51	✓	✓			✓		
ELLERBY 48	1220	1050	720	800	1120	200	75	176	380	1220	51	✓						
HUTTON	1000	953	694	750	940	165	25	130	380	1000	50					✓		
KENDAL 48	1220	1030	720	810	1120	200	75	150	380	1220	51	✓		✓				
LANGDON 48	1226	1100	800	835	1140	198	75	155	380	1220	55					✓		
RIVERSLEA 48	1226	1036	680	775	1110	190	25	135	380	1220	55							✓

*Standard Cartmel & Durrington 48 suites come with 3" rebate. Models with feature spot lights come with 1" rebate.



NOTES

1. Portuguese Limestone models come with Three-piece back panels
2. The Clifton, Durrington 42 and the Cranbourne models come supplied with three-piece panels in all materials
3. All suites in Chiltern and Cotswold finish can be ordered with single piece back panels or three-piece back panels (except Clifton Cranbourne and Durrington 42 - see note 2)

MANTEL INFORMATION

MANTEL	A	B	C	D	E	F	G
STONE							
ASQUITH	1405	1235	915	915	1235	215	70
BARTELLO	1370	1165	910	910	1254	200	75
BROMPTON 51" U	1295	1110	864	890	1194	200	70
BROMPTON 56" U	1420	1136	915	915	1335	200	70
CHISWICK	1420	1121	915	915	1306	230	70
CLARENDON U	1420	1136	915	915	1335	200	70
DELECTION 52	1310	1115	910	915	1320	170	75
DELECTION 56	1420	1168	915	915	1430	185	75
DUBLIN CORBEL	1520	1180	915	920	1385	360	80
HENLOW 48"	1220	1100	815	890	1145	200	25
KINGSTON 56" U	1420	1135	880	915	1280	260	75
KINGSTON 63" U	1600	1233	1003	1003	1503	260	75
LUCA	1374	1200	914	913	1254	220	75
MILBROOKE	1389	1227	914	914	1274	220	75
MODENA	1405	1135	915	915	1235	215	70
PISA	1370	1200	890	915	1296	200	75
RICHMOND U	1372	1155	915	915	1258	220	75
SIENNA 54"	1372	1124	864	864	1270	200	70
VERONA	1380	1158	915	920	1295	208	75
TIMBER							
PINE BEDFORD 42"	1067	1105	710	850	990	880	25 - 76
PINE BEDFORD 48"	1219	1180	865	915	1145	215	25 - 76
PINE BEDFORD 54"	1372	1195	915	915	1260	215	25 - 76
PINE DANESBURY	1372	1175	900	900	1245	190	25 - 76
PINE GRAND CORBEL 54"	1372	1180	915	915	1260	215	25 - 76
PINE GRAND CORBEL 60"	1524	1180	915	915	1346	222	25 - 76
OAK HOWARD	1345	1195	915	915	1265	180	25 - 76
PINE LINCOLN 48"	1219	1130	840	890	1145	180	25 - 76
PINE LINCOLN 54"	1372	1155	915	915	1245	180	25 - 76
PINE WORCESTER	1370	1180	915	915	1245	190	25 - 76
CAST IRON							
PALMERSTON 54"	1372	1270	915	915	1220	260	75

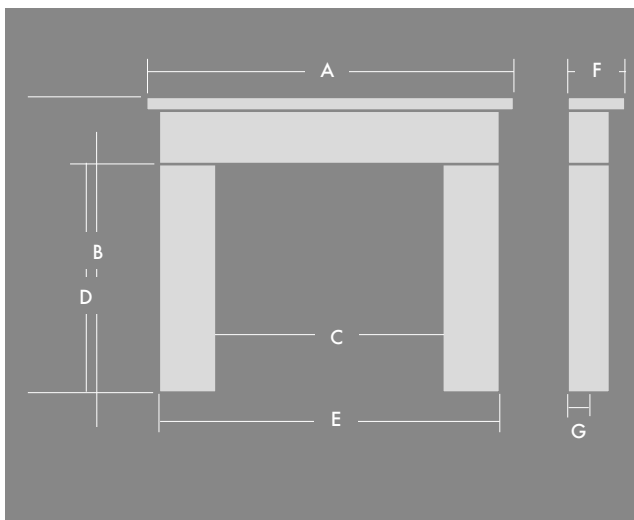


DIAGRAM D

NOTES:

All dimensions are provided (all in mm) as a guide only and are subject to a tolerance of ± 12 mm.

It is normal for tiles to craze over time.

Most fires have a remote control option, please ask your retailer.

All products (except chrome finishes and Efficiency Plus fires) are suitable for burning solid fuel, however polished and highlighted products may tarnish. Only burn small fires to start with in order to temper the cast iron.

Before committing to a fireplace, please discuss your particular installation with your retailer who will provide expert advice and carry out a survey.

FIRE BASKET INFORMATION

BASKET	FINISH					DIMENSIONS			CLASS 1	ELECTRIC
	POLISHED	BLACK	CHROME	HIGHLIGHT	ANTIQUE	W	D	H		
CANTILEVER #				✓		555	320	255	✓	✓
CASTLE		✓		✓		570	280	440	✓	✓
COTTAGE - SMALL #	✓	✓				485	305	365	✓	
COTTAGE - LARGE	✓	✓				585	305	475	✓	
CRADLE - SMALL**	✓	✓				400	250	200	✓	
CRADLE - LARGE**	✓	✓				550	250	200	✓	
CROMWELL 16"		✓				390	280	180	✓	
CROMWELL 18"		✓				455	320	170	✓	
ELAN NO BACK #	✓	✓				440	300	220	✓	✓
ELAN WITH BACK #	✓	✓				455	300	385	✓	✓
KRYPTON WITH BACK	✓	✓				535	260	190	✓	✓
KRYPTON NO BACK	✓	✓				530	260	190	✓	✓
MATRIX	✓	✓				515	300	395	✓	✓
NEON NO BACK	✓	✓				375	285	190	✓	✓
NEON WITH BACK	✓	✓				375	285	230	✓	✓
NEXUS - SMALL (SOLID FUEL)		✓				610	315	135	✓	
NEXUS - SMALL (GAS)#		✓	✓			610	315	190	✓	
PULSE*		✓	✓			455	285	250	✓	
QUEEN ANNE				✓	✓	590	285	580	✓	✓
VALENCIA 16" NO BACK		✓				400	330	220	✓	✓
VALENCIA 18" NO BACK #		✓				470	330	220		✓
VALENCIA 18" WITH BACK		✓				470	305	475	✓	✓
VALENCIA 21" NO BACK		✓				550	330	220	✓	✓
VALENCIA 21" WITH BACK		✓				550	305	500	✓	✓

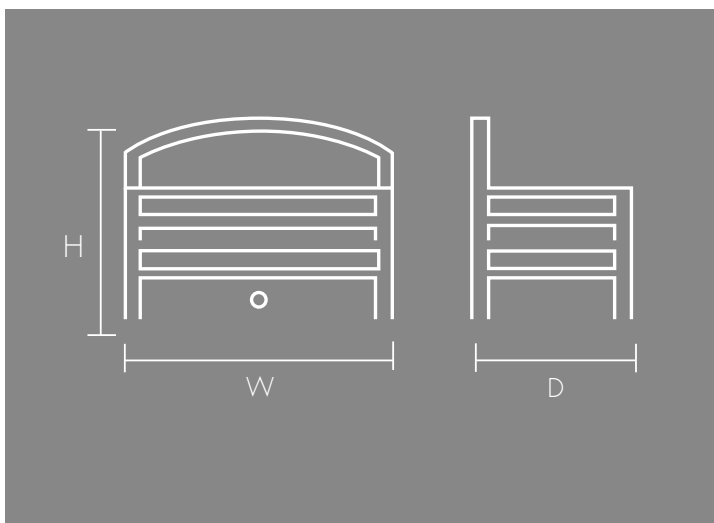


DIAGRAM E

- * AVAILABLE WITH DEEPER BACK FOR LARGER BURNING AREA
- U THESE MANTELS HAVE THE ADDED BENEFIT THAT THE LEGS CAN BE MOVED FURTHER APART BY UP TO 50MM IF REQUIRED
- # HIGH DEFINITION LOG SET AVAILABLE FOR THESE BASKETS
- ** AVAILABLE ONLY FOR SOLID FUEL USE.

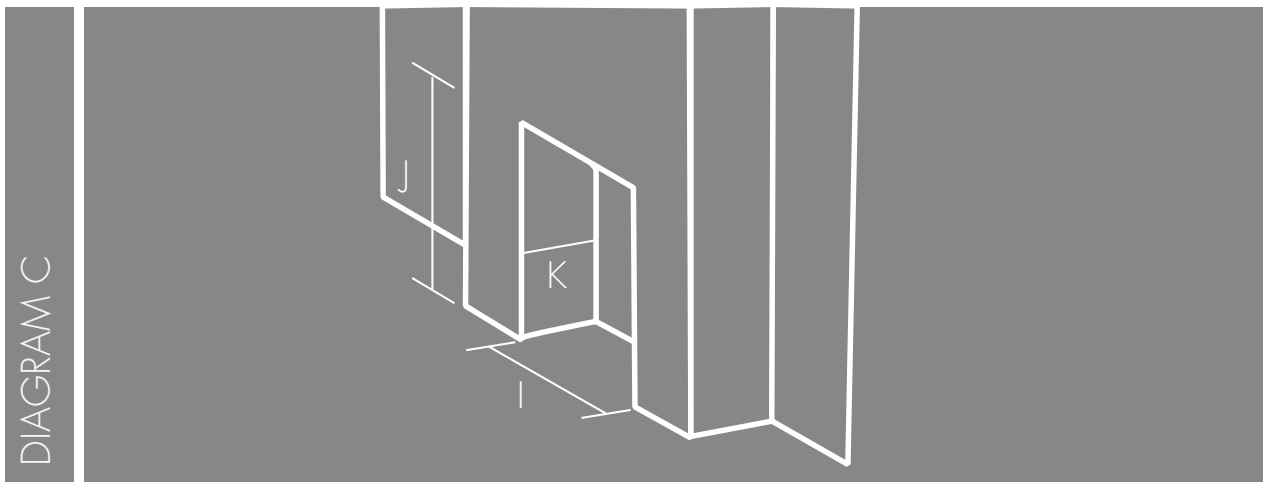
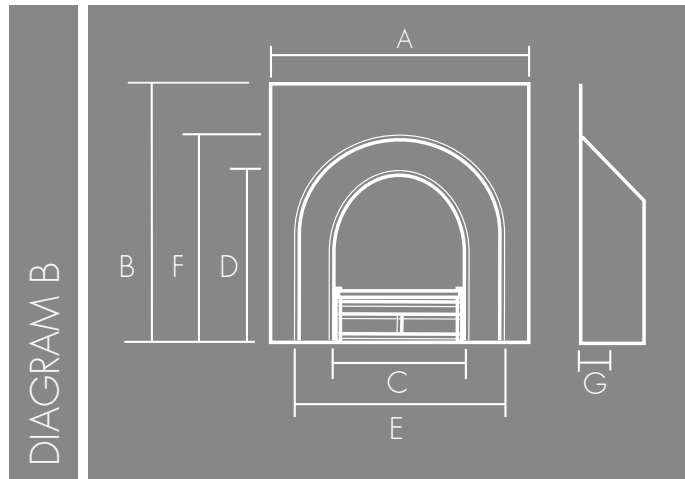
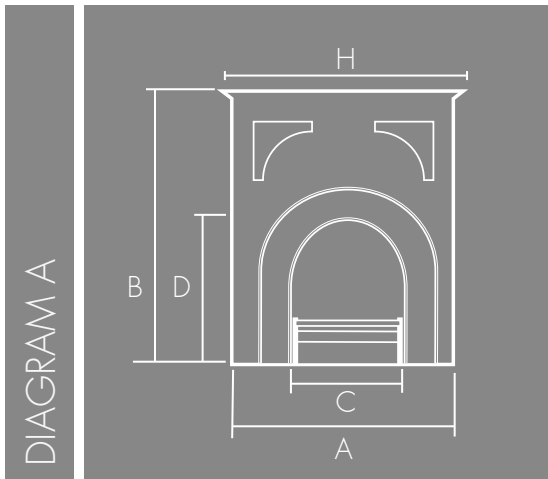
INSERTS, FASCIAS & COMBINATIONS

INSERT	FINISH				GAS											FOR STANDARD BACK	CLASS 1	CLASS 2	PRECAST	ELECTRIC	
	BLACK	HIGHLIGHT	POLISHED	TRADITIONAL	A	B	C	D	E	F	G	H	CAST BACK AVAILABLE	FOR STANDARD BACK							
														I	J						K
ARCHED INSERTS																					
BOLTON		✓			940	940	450	545	785	825	40		✓	560	720	165	✓	✓	✓		
CORONET	✓	✓			930	925	370	670	650	800	75		✓	455	700	160	✓	✓	✓		
CROWN	✓	✓	✓		940	940	430	660	835	855	75		✓	560	720	165	✓	✓	✓		
CROWN 40" x 40"		✓			1015	1015	430	660	835	855	75		✓	560	720	165	✓	✓	✓		
FITZWILLIAM		✓			1050	1030	755	720	925	925	75		✓	965	750	330	✓	✓	✓		
GLOUCESTER		✓			1015	1015	590	700	785	870	40		✓	725	750	330	✓	✓	✓		
HENLEY*	✓	✓			940	940	445	660	785	825	65		✓	620	725	210	✓	✓	✓		
JUBILEE*		✓			945	940	450	670	790	830	60		✓	620	725	210	✓	✓	✓		
LANDSDOWNE		✓		✓	960	960	450	685	800	840	75		✓	620	725	210	✓	✓	✓		
LYTTON	✓	✓			940	940	445	660	785	825	40		✓	560	720	165	✓	✓	✓		
REGAL		✓			930	925	365	660	650	800	75		✓	455	700	160	✓	✓	✓		
SUTTON		✓			930	925	370	545	650	800	75		✓	455	700	160	✓	✓	✓		
TRADITIONS	✓	✓			965	965	430	610	890	830	100		✓	550	620	235	✓	✓	✓		
TILED INSERTS																					
NORMANDY	✓		✓		1016	1016	393	540	889	895	75		✓	470	615	200	✓	✓	✓		
PRINCE	✓				940	940	340	560	740	860	75		✓	410	600	160	✓	✓	✓		
SOVEREIGN	✓		✓		940	940	405	560	875	900	75		✓	470	615	200	✓	✓	✓		
TOULOUSE	✓	✓			940	940	395	545	845	865	75		✓	470	615	200	✓	✓	✓		
TULIP		✓			940	940	405	560	850	875	75		✓	470	615	200					
FASCIAS																					
CHAMBERLAIN		✓			965	965	730	740	835	875	25						✓	✓	✓		
HAMILTON		✓			965	965	425	570	790	850	75						✓	✓	✓		
MONROE		✓			965	965	425	570	840	830	65						✓	✓	✓		
COMBINATIONS																					
BARCELONA	✓		✓		785	990	345	595				915	✓	410	600	160	✓	✓	✓		
CELTIC	✓	✓	✓		830	1005	450	660				915	✓	560	720	165	✓	✓	✓		
EDWARDIAN	✓		✓		1105	1220	415	545				1220	✓	470	615	200	✓	✓	✓		
NOTTAGE	✓	✓			760	980	365	660				815	✓	455	700	160	✓	✓	✓		
PEMBROKE*	✓		✓		1040	1040	445	660				1205	✓	620	725	210	✓	✓	✓		
TREGARON		✓			840	1005	445	545				915	✓	560	720	165	✓	✓	✓		

* Available with deeper back for larger burning area.

INSERT	FINISH				GAS											PRECAST	BALANCED FLUE	ERP			
	BLACK	HIGHLIGHT	POLISHED	TRADITIONAL	A	B	C	D	E	F	G	CLASS 1	CLASS 2	CLASS 1 OF	CLASS 1 GF			CLASS 2 SL OF	BALANCED FLUE		
HIGHER PERFORMING																					
JUBILEE HP		✓	✓		940	940	455	490	800	855	75	✓	✓	✓	✓	F	E	N/A*	B		
LYTTON HP		✓			940	940	455	490	800	855	75	✓	✓	✓	✓						
TOULOUSE HP		✓			960	940	510		885	870	75	✓	✓	✓	✓						

* This product is not suitable for primary heating purpose.



TECHNICAL FRAME, TRIM & FRET INFORMATION

The table below explains which frames, fire frames, trims and frets are available for each particular fire.

FIRE TYPE	TECHNICAL				FUEL BED		FIRES													
	Max Input kW	Max Output kW	Efficiency %	ERP Rating	Coals	Pebbles	Aurora	Baltimore	Bauhaus 16"	Bauhaus 18"	Blenheim	Callisto	Clevedon	Emperor	Eos	Equinox	Lunar	Providence	Solaris	
Glass fronted convector	5.0	4.0	80.0	C	✓		✓	✓	✓	✓	✓	✓	✓	✓	✓	✓	✓	✓	✓	✓
Class 1 open fronted convector	6.9	4.0	58.0	F	✓		✓	✓	✓	✓	✓	✓	✓	✓	✓	✓	✓	✓	✓	✓
Class 2 open fronted convector	6.0	3.3	55.0	F	✓		✓					✓			✓	✓	✓	✓	✓	✓
Decorative gas fire	6.9	1.38	20.0	N/A**	✓	✓		✓	✓	✓	✓		✓	✓						
Electric inset	2.0	2.0	98.0	N/A	✓	✓	✓	✓	✓	✓	✓	✓	✓	✓	✓	✓	✓	✓	✓	✓

*Any fret can be used along with the Neptune trim to fit either an open fronted gas convector fire or a higher performing glass fronted gas convector fire. The Neptune trim is available in brushed steel, stainless steel or antique brass finish.

**This product is not suitable for primary heating purpose.

TECHNICAL STOVE INFORMATION

STOVE	FUEL TYPES	OUTPUT (UP TO)	EFFICIENCY (UP TO)	ERP RATING	CLEAN BURN	SIA	FLUE DIAMETER	DIMENSIONS IN mm (HxWxD)
CLASSIC 5 CLEAN BURN	MULTI*	4.9kW	79%	A	✓		125mm	558 x 430 x 370
CLASSIC 8 CLEAN BURN	MULTI*	7.9kW	77%	A	✓		150mm	570 x 580 x 375
CLASSIC ECO	MULTI	5kW	84%	A+	✓	✓	125mm	655 x 530 x 367
DARWIN BALANCED FLUE GAS STOVE	GAS/LPG	5.4kW/5.2kW	75% / 68%	D/B	x		100-150mm*****	640 x 572 x 384
DARWIN CONVENTIONAL FLUE GAS STOVE	GAS/LPG	4.5kW/4.3kW	74%	D/B	x		100mm	640 x 572 x 384
FIREFOX 5 CLEAN BURN II	MULTI*	4.9kW	79%	A	✓		125mm	535 x 405 x 360
FIREFOX 8 CLEAN BURN	MULTI*	7.9kW	77%	A	✓		150mm	595 x 555 x 365
FIREFOX 5 MULTI FUEL	MULTI	4.9kW	78%	A	x		125mm	535 x 405 x 360
FIREFOX 8 MULTI FUEL	MULTI	8.4kW	79%	A	x		150mm	595 x 555 x 365
FIREFOX 8 TD MULTI FUEL	MULTI	8.4kW	79%	A	x		150mm	595 x 555 x 365
FIREFOX 12 MULTI FUEL	MULTI	13kW	76%	A	x		150mm	680 x 645 x 415
FIREFOX 5 GAS	GAS	4kW	73%	D	x		125mm	580 x 405 x 445**
FIREFOX 8 ECO	MULTI*	5kW	84%	A+	✓	✓	125mm	660 x 542 x 367
FIREFOX 8 GAS	GAS	5kW	73%	E	x		125mm	605 x 555 x 425**
HELIOS 5 CLEAN BURN	MULTI*	4.6kW	83%	A+	✓		125mm	486 x 370 x 327
HELIOS 8 CLEAN BURN	MULTI*	8.3kW	81%	A+	✓		150mm	584 x 440 x 366
HELIOS INSET CLEAN BURN	MULTI*	4.5kW	81%	A+	✓		125mm	590 x 470 x 311
TIGER CUB	MULTI	4kW	81%	A+	x		125mm****	591 x 338 x 397
TIGER CLEAN BURN	MULTI*	5kW	73%	A	✓		150mm	600 x 555 x 330
TIGER ECO	MULTI	5kW	78%	A+	✓	✓	125mm	644 X 522 X 356
TIGER GAS	GAS	5kW	73%	E	x		125mm	590 x 570 x 420**
TIGER INSET	MULTI*	4.9kW	82%	A+	✓		150mm***	600 x 520 x 342
TIGER MULTI FUEL	MULTI	6kW	77%	A	x		150mm	600 x 555 x 330

* Only wood and smokeless fuels may be used in clean burn mode

** Depth includes rear flue diverter box.

*** Required with additional PDQ adapter if fitting with a flue liner.

**** 100mm - when fitted into a shed, inland marine craft or other buildings for occasional use. 125mm - when fitted into a standard brick built property.

***** Concentric Flue

GENERAL INFORMATION

- All the images throughout this brochure are for illustrative purposes only and are as accurate as possible. Some natural materials may vary due to the nature of the products, but if the colour you require is critical then please consult your retailer before basing all your decisions on the colours shown here.
- Some room sets may appear not to comply with the requirements of the latest building regulations, we would always advise that you check your proposal with your approved fitter before proceeding with any project.
- Please also note that shading and crazing are characteristics of the glazed tiles used in tiled inserts and tiled hearths.
- There are occasions when designs, or products are altered or discontinued without prior notice (a reserved right), so if you are about to set your heart on a particular fireplace, please consult your retailer before making that final commitment
- All installations must be carried out in accordance with the requirements set out in the Building Regulation.
- Your Gallery fireplace is made up of a number of different components and it is important to ensure that your installer not only meets the requirements above, but that they also have the necessary experience to fit ALL those components, for example a Jurastone suite with a fire frame.
- Before committing to a fireplace, please discuss your particular installation with your retailer who will provide expert advice and carry out a survey.

STOVE INFORMATION

CHOOSING YOUR STOVE

There are many factors that will determine which is the ideal stove for you. Luckily we have a variety of stove types to ensure there is an option to suit your particular needs.

MULTI FUEL

If a stove is specified as multi fuel then it can burn a number of different fuel types including wood, coal, coke, peat, anthracite and smokeless fuels.

CLEAN BURN

Some towns and cities of the UK are designated SMOKE CONTROL areas and prohibit the burning of smoke producing fuels such as wood. In such circumstances, stoves can still be used if they burn smokeless fuels or gas. However, if you live in a smoke controlled area and still want the freedom to burn wood you can use a DEFRA approved CLEAN BURN stove. These stoves are specially designed to burn wood whilst producing lower smoke emissions. For information on smoke controlled areas visit the DEFRA website www.smokecontrol.defra.gov.uk.

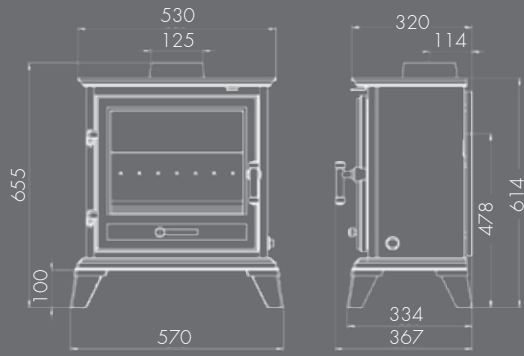
CHOICE

To help you decide we've put together a table below so you can compare the features and specifications of each stove in the Gallery Collection. Don't forget, your retailer can be on hand with helpful advice to assist you with your decision.

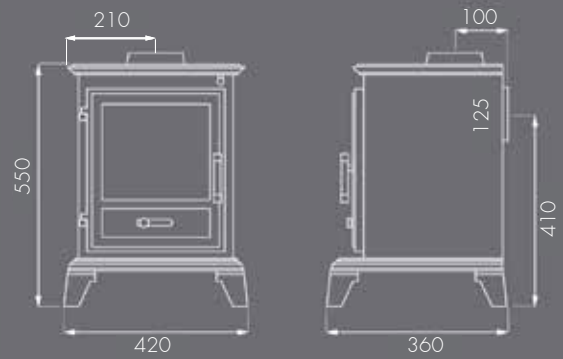


STOVE DIMENSIONS

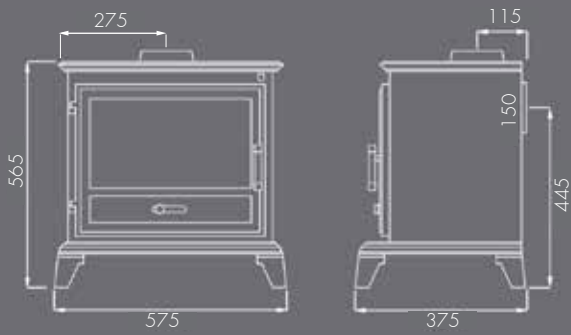
CLASSIC ECO



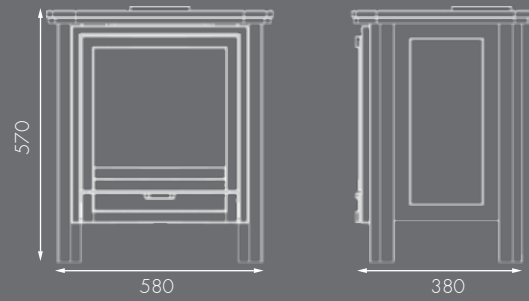
CLASSIC 5 CLEAN BURN



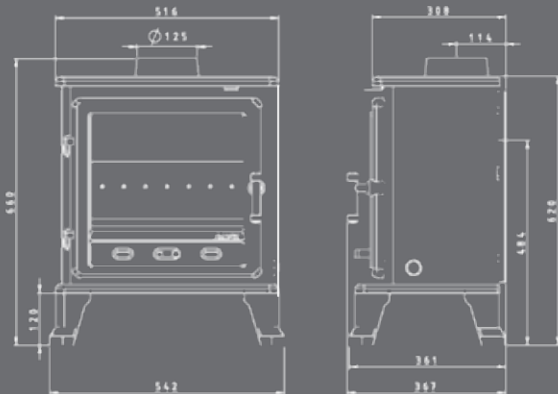
CLASSIC 8 CLEAN BURN



DARWIN GAS STOVE

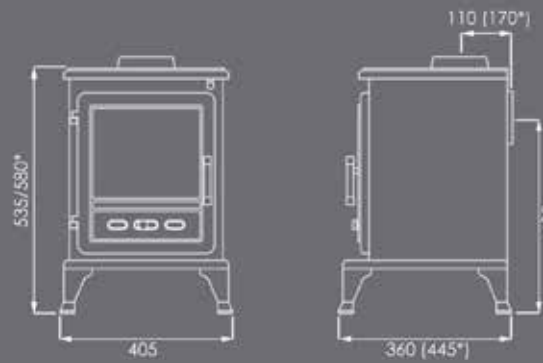


FIREFOX 8 ECO



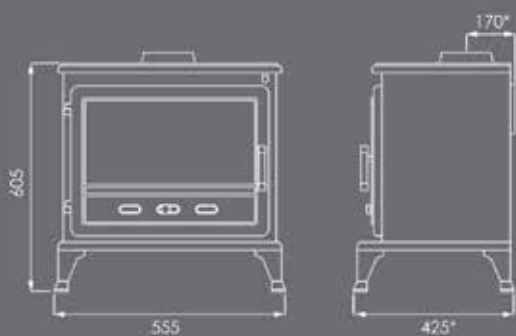
FIREFOX 5.1 MULTI FUEL
FIREFOX 5.1 CLEAN BURN II
FIREFOX 5 GAS*

*FIREFOX 5 GAS MODEL - MEASUREMENT INCLUDES REAR FLUE DIVERTER BOX

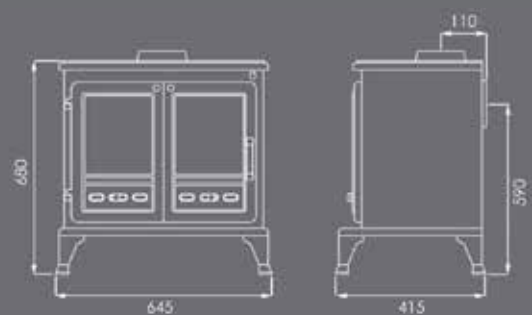


FIREFOX 8.1 MF /CB
FIREFOX 8 TD
FIREFOX 8 GAS*

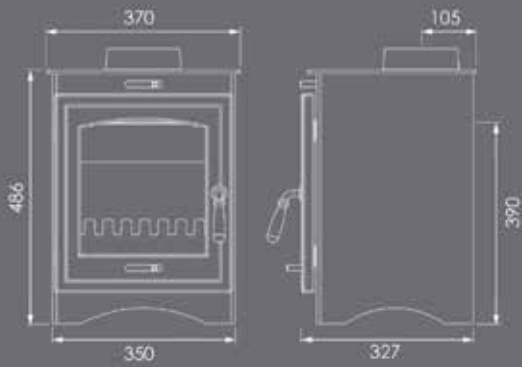
* MEASUREMENT INCLUDES REAR FLUE DIVERTER BOX



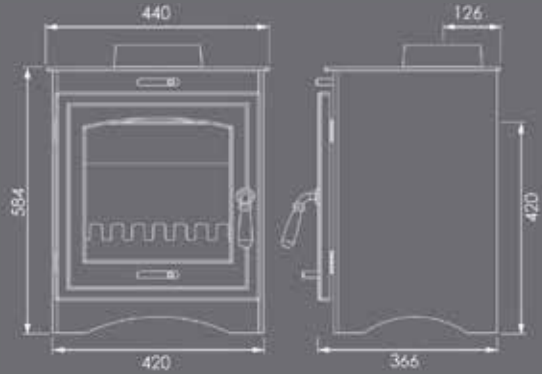
FIREFOX 12



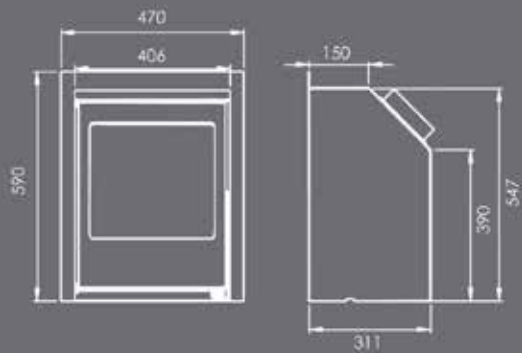
HELIOS 5 CLEAN BURN



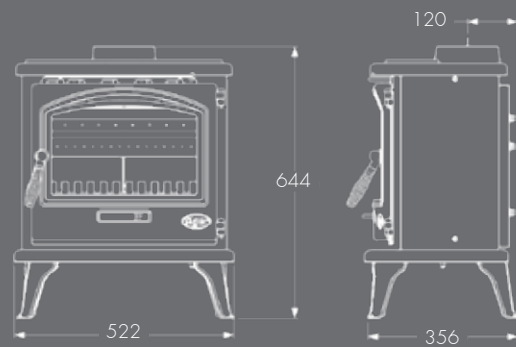
HELIOS 8 CLEAN BURN



HELIOS INSET

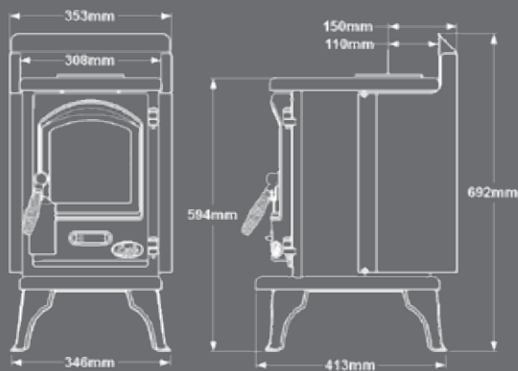


TIGER ECO



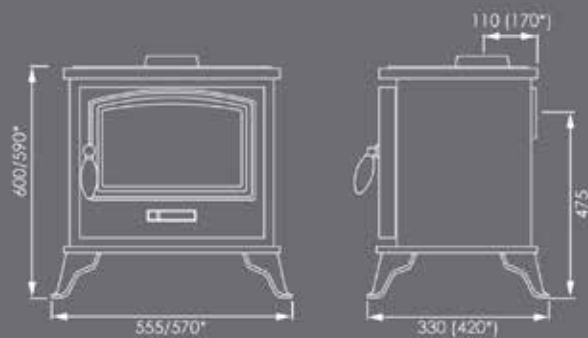
TIGER CUB

SHOWN WITH OPTIONAL REAR HEAT SHIELD



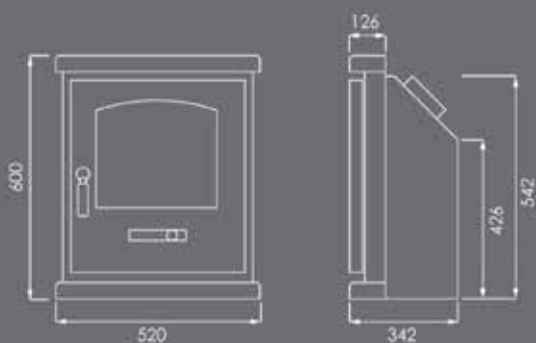
TIGER MULTI FUEL
TIGER CLEAN BURN
TIGER GAS*

*TIGER GAS MODEL - MEASUREMENT INCLUDES REAR FLUE DIVERTER BOX



TIGER INSET

NOTE: INSET WIDTH IS 398MM



All dimensions are in mm. Due to manufacturing processes, all measurements are approximate and may vary slightly. Please allow for a tolerance of plus or minus 12mm.

The Firefox 5 Gas, Firefox 8 Gas, Tiger gas, Tiger Inset, Tiger cub and Helios Inset stoves are all top flue only. All other stoves have the option of top or rear flue.

The Tiger Gas and Firefox 8 Gas models have a 150mm flue collar but require a 125mm flue. The collar should be packed with rope/fire cement or sleeved with a 6" vitreous pipe to finish.

It is essential that your stove is installed in accordance with Building Regulations and any other standard requirements by a competent person with experience in fitting fireplaces - your retailer will be able to help you select an appropriately qualified installer.

GENERAL INFORMATION

All Gallery stoves are manufactured from cast iron and it is vital that appliances undergo a period of 'burning in'. This involves small fires initially and then gradually increasing in size with each firing. If this process is adhered to then you should experience years of trouble free and, enjoyable use.

All Gallery stoves are CE approved to EN13240 and are suitable for use with a variety of fuels such as wood, coal, coke, peat, anthracite or smokeless fuels.

For safety all Gallery solid fuel stoves are supplied with a heat resistant mitten, as the stoves are very hot when being used.

Most stoves have a riddling grate mechanism to ease de-ashing. Ensure that all ash is removed from your solid fuel stove (once cooled) on a regular basis. It is important that a build up of ash is not allowed to occur as this will affect the life of the consumable parts within the burning chamber.

Except for the Tiger Inset, all other Gallery solid fuel stoves can be top or rear flue exit, gas stoves are top exit only.

Gallery stoves (excluding gas) utilize an 'air wash' system which helps to keep the large viewing glass clean during operation and improve efficiency.

Your Gallery fireplace is made up of a number of different components and it is important to ensure that your installer has the necessary qualifications and experience to fit ALL the components of a fireplace.

All gallery stoves are supplied with detailed, comprehensive installation and user instructions. It is critical that ALL installations conform to relevant Building Regulations and should be carried out by a qualified Gas Safe

Register registered installer when fitting a gas stove, or a HETAS qualified engineer when installing for use with solid fuel. Failure to comply with these requirements may reduce the efficiency and serviceability of your appliance and will invalidate any guarantee. It is essential that prior to any installation, a relevant qualified engineer verifies the proposed site, location and conditions are suitable for the stove selected.

All installations must be carried out in accordance with the requirements set out in the Building Regulation documents, in particular Approved Document J. Independent bodies have been approved to carry out installations in accordance with these regulations. For gas installations the most recognized independent body is GAS SAFE REGISTER (Board Gais in ROI) and for solid fuel installations it is HETAS. Please confirm with your retailer that your new fireplace will be installed appropriately. A CO detector must be installed with all solid fuel appliances.,

If your new fireplace is fitted by a GAS SAFE REGISTER (Board Gais in ROI) or HETAS registered fitter you will be given a certificate stating that your installation has been carried out in accordance with the Building Regulations. If you do not have one of these certificates then you must arrange for your local Building Control Officer to inspect your installation and approve it.

There are occasions when designs or products are altered or discontinued without prior notice (a reserved right). Please consult your retailer before making your final choice.

UNDERSTANDING YOUR GALLERY STOVE

CAST IRON

Do not use a water-based cleaner or polish to clean cast iron products.

There are some very high temperature burning fuels which can cause damage to any fireplace. Please refer to the Solid Fuel Association (www.solidfuel.co.uk) recommendations and use an approved coal merchant as your supplier.

No responsibility can be accepted if high temperature fuels have been used or if there is excessive draft. Clean ash away regularly as a build up beneath the fire will cause the grate to burn out quickly. The grate is a consumable part of your fire and will need replacement from time to time, depending on the frequency and burning temperature of your fires.

GAS STOVES

A gas stove is a technical piece of equipment and needs regular servicing. Ensure that you have your gas stove serviced regularly by a Gas Safe Register (Board Gais in ROI) registered installer.

SERVICE FOCUSED FOR PEACE OF MIND

All cast iron products are manufactured in ISO 9002 accredited manufacturing facilities.

All the gas fires we supply are tested in accordance with CE requirements and are CE marked.

All measurements are approximate and may vary slightly so allow for a tolerance of plus or minus 12mm.

To achieve some of the colour options, we plate the products using a variety of manufacturing processes. "Antique Brass finish" or "Chrome finish" are not brass or chrome.

MARBLE, MICROMARBLE & JURASTONE products are not suitable for solid fuel applications.

The colours shown in this brochure are as accurate as possible. If the colour you require is critical then please consult your retailer before making your decision.

When you are identifying your chimney please consult the table in the brochure. If you are not clear please consult your HETAS or GAS SAFE REGISTER (Board Gais in ROI) registered installer or your retailer.

Gas fires with a gas input of 6.9kW or less do not normally require air vents, however there are some circumstances where vents may be required. This is determined by your installer carrying out a spillage test during the commissioning process. If your chosen fire has a gas input greater than 6.9kW then a vent will be required. Please ask your retailer for further information. There are occasions when designs, or products are altered or discontinued without prior notice (a reserved right). Please consult your retailer before making your final choice.

Whilst there appear to be no definitive regulations available, a sufficient gap must be provided around the basket when placed inside the fire chamber. This is essential because air must be able to flow into the fire in order for the fuel to burn effectively; the flue and fire chamber surfaces must be kept cool to avoid heat damage from the fire and where applicable gas controls need to be freely accessible.

THE INSTALLATION OF YOUR FIREPLACE

All installations must be carried out in accordance with the requirements set out in the Building Regulation documents, in particular, Approved Document J. Independent bodies have been approved to carry out installations in accordance with these regulations. For gas installations the most recognised independent body is GAS SAFE REGISTER (Board Gais in ROI) and for solid fuel installations it is HETAS. Please confirm with your retailer that your new fireplace will be installed appropriately.

If your new fireplace is fitted by a GAS SAFE REGISTER (Board Gais in ROI) or HETAS registered fitter you will be given a certificate stating that your installation has been carried out in accordance with the Building Regulations. If you do not have one of these certificates then you must arrange for your local Building Control Officer to inspect your installation and approve it.

Your Gallery fireplace is made up of a number of different components and it is important to ensure that your installer not only meets the requirements above, but that they also have the necessary experience to fit ALL those components, for example a Jurastone suite with a fire frame and a gas fire.

UNDERSTANDING YOUR NEW GALLERY FIREPLACE COMPONENTS AND THEIR AFTERCARE AND MAINTENANCE

PORTUGUESE LIMESTONE SUITES

Stone is naturally porous, so avoid spillages of coloured liquids such as fruit juices and red wine. In the event of an accident, use a specialist cleaning and resealing kit, following the instructions given by the manufacturer of the kit. Where chipping has occurred, use a fine wet and dry sand paper to blend out as necessary.

MARBLE & MICROMARBLE SUITES

Avoid spillages of strong coloured solutions and citrus juices as the acid may etch the surface. To maintain the subtle shine of the surface, occasionally wipe over with a solution of general household cleaner and buff with a soft dry cloth. Do not use any bleach or abrasive cleaning agents as these will scuff or dull the shine.

JURASTONE SUITES

Jurastone suites are manufactured from natural stone and finished with a revolutionary, patent applied for durable finish, with the realistic 'cold to touch' feel of natural stone.

GAS FIRES

A gas fire is a technical piece of equipment and, just like a gas boiler needs regular servicing. Please ensure that you have your gas fire serviced regularly by a GAS SAFE REGISTER (Board Gais in ROI) registered installer. This will help you enjoy safe and trouble free enjoyment of your fireplace for years to come and may be a requirement of the Government's Home Information Pack.

CAST IRON

All the cast iron products are delivered with a protective, oil-based coating on polished surfaces. This should be cleaned off during installation. It is recommended that a spray-type oil is applied from time to time in order to avoid surface rust appearing. Ensure that the room in which the cast iron product is being installed is thoroughly dry. For example recently plastered walls cause high levels of moisture in the atmosphere and, as a result, rust is likely to occur. Under no circumstances should a water-based cleaner or polish be used to clean cast iron products.

When using ceramic fuel beds, ensure that these do not touch any of the polished surfaces as this will help to minimise the possibility of thermal discolouration. High temperature paint is used on the black and graphite products where fires will burn. This paint will eventually burn off. A proprietary, high temperature paint can be used to re-coat your fireplace. Such paint is available from your retailer. Its your responsibility to burn smoke free fuels if you live in a smoke free zone. There are some very high temperature burning fuels which can cause damage to any fireplace. Please refer to the Solid Fuel Association (www.solidfuel.co.uk) recommendations and use an approved coal merchant as your supplier.

No responsibility can be accepted if high temperature fuels have been used or if there is excessive draft. If in doubt we recommend the use of a clay fire back. Clean ash away regularly as a build up beneath the fire will cause the grate to burn out quickly. The grate is a consumable part of your fire and will need replacement from time to time, depending on the frequency and burning temperature of your fires.

DISCLAIMER

We reserve the right to change or withdraw details, prices or specifications without prior notice. Every effort has been made to ensure the accuracy of information in this price list. All dimensions are given for your convenience and should only be used as a guide. Colour reproduction is as accurate as current printing methods allow. We cannot be held responsible for changes or matters outside our control.



THE
GALLERY
COLLECTION